



Product designation

Flush-extended
push-push
actuator with no
cap
LPXQ0

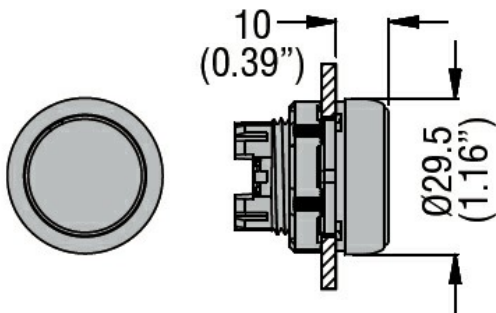
Product type designation

Mechanical features

Weight

g 13

Dimensions



Certifications and compliance

Compliance

/

Certificates

/

ETIM classification

ETIM 8.0

EC002498 -
Accessories/spare
parts for low-
voltage switch
technology