



Potentiometer drives complete with mounting adapter - With graduate scale 8LM2TP100

Product designation

Product type designation

General characteristics

Material Aluminium and zinc alloy

IEC degree of protection IP65

Mechanical features

Mechanical life cycles 300000

Weight g 70

Ambient conditions

Temperature

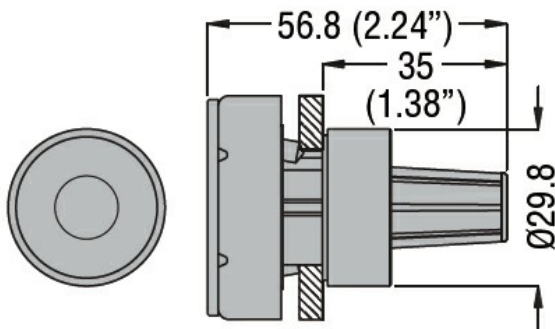
Operating temperature

min °C -25
max °C +60

Storage temperature

min °C -40
max °C +70

Dimensions



Certifications and compliance

Compliance

IEC/EN 60947-1
IEC/EN 60947-5-1

Certificates

CCC
EAC

ETIM classification

ETIM 8.0

EC002498 - Accessories/spare parts for low-voltage switch technology