



LED elements  
steady light with  
spring-clamp  
terminals  
LPXLP

Product designation

Product type designation

**General characteristics**

Colour Green

**Electrical characteristics**

Rated frequency	Hz	50-60
Supply voltage (AC)	V	185...265

**Operations**

Electrical life	hours	100000
-----------------	-------	--------

**Mechanical features**

Conductor section

AWG/kcmil conductor section	max	14
IEC	max	mm <sup>2</sup> 1 or 2 / 2.5

Mounting adapter LPXAU120

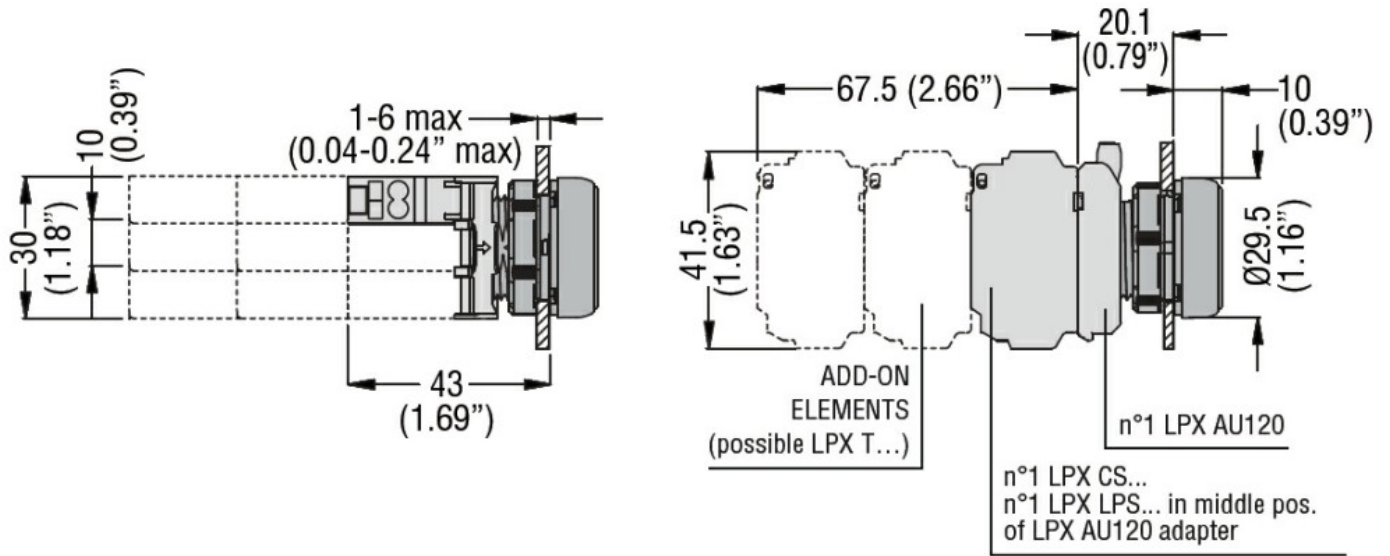
Weight g 15

**Ambient conditions**

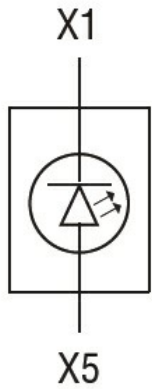
Temperature

Operating temperature	min	°C	-25
	max	°C	+70
Storage temperature	min	°C	-40
	max	°C	+85

**Dimensions**



Wiring diagrams



Certifications and compliance

Compliance

CSA C22.2 n° 14  
IEC/EN/BS 60947-1  
IEC/EN/BS 60947-5-1  
UL508

Certificates

CCC  
cULus  
EAC  
RINA  
UL

ETIM classification

ETIM 8.0

EC000204 -  
Lamp holder  
block for control  
circuit devices