



Product designation

LED elements  
steady light  
LPXLP

Product type designation

**General characteristics**

Colour

Yellow

**Electrical characteristics**

Supply voltage (AC)

V 12...30

Supply voltage (DC)

V 12...30

**Operations**

Electrical life

hours 100000

**Mechanical features**

Tightening torque for terminals max

Nm 1

Conductor section

AWG/kcmil conductor section

max 12

IEC

max mm<sup>2</sup> 1 or 2 / 2.5

Mounting adapter

LPXAU120

Weight

g 16

**Ambient conditions**

Temperature

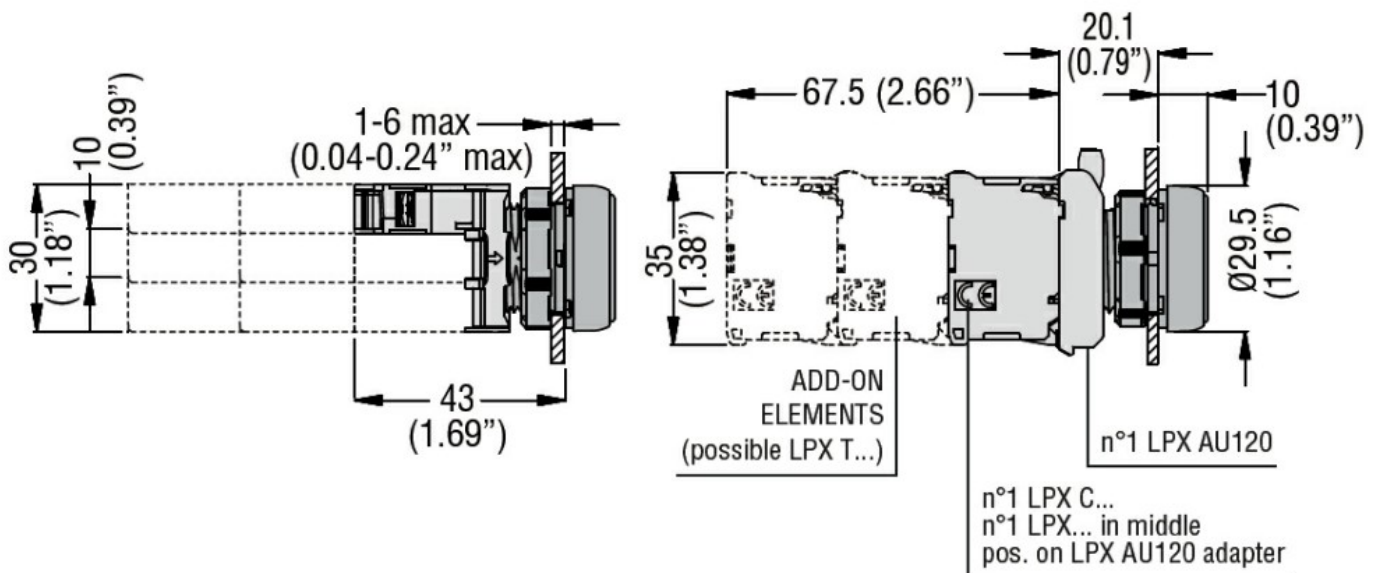
Operating temperature

min °C -25  
max °C +70

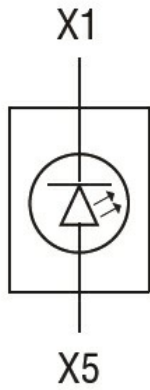
Storage temperature

min °C -40  
max °C +85

**Dimensions**



### Wiring diagrams



### Certifications and compliance

#### Compliance

CSA C22.2 n° 14  
IEC/EN/BS 60947-1  
IEC/EN/BS 60947-5-1  
UL508

#### Certificates

CCC  
cULus  
EAC  
RINA  
UL

### ETIM classification

ETIM 8.0

EC000204 -  
Lamp holder  
block for control  
circuit devices