



Illuminated disk for mushroom head pushbuttons - ISO13850 SYMBOL LPXDAU

Product designation

Product type designation

General characteristics

Colour Yellow

Electrical characteristics

Supply voltage (AC) V 110...120

Mechanical features

Operating position allowable Any

Weight g 22

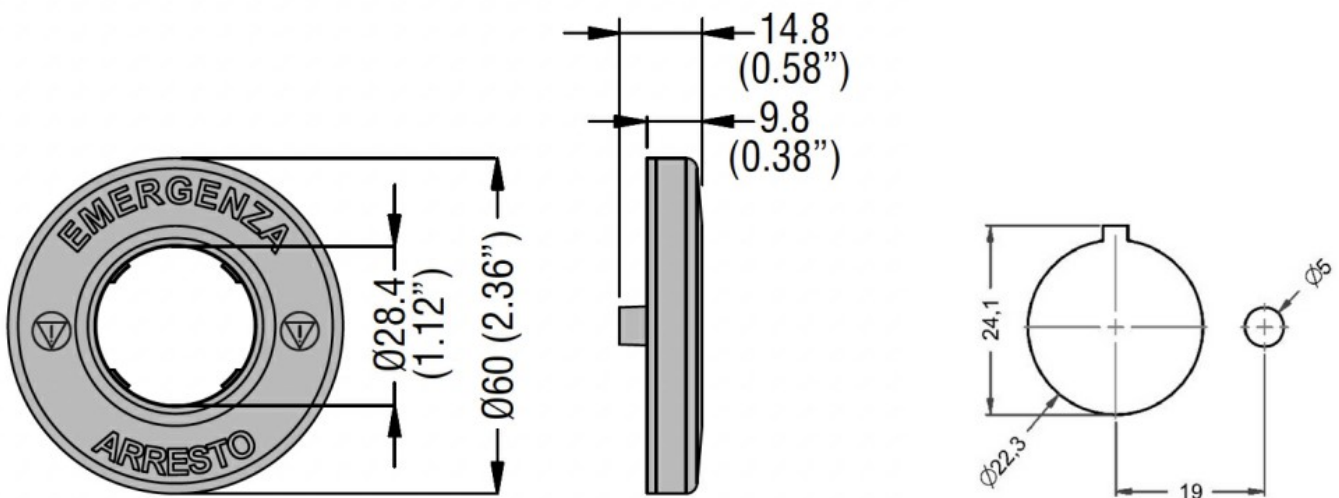
Ambient conditions

Temperature

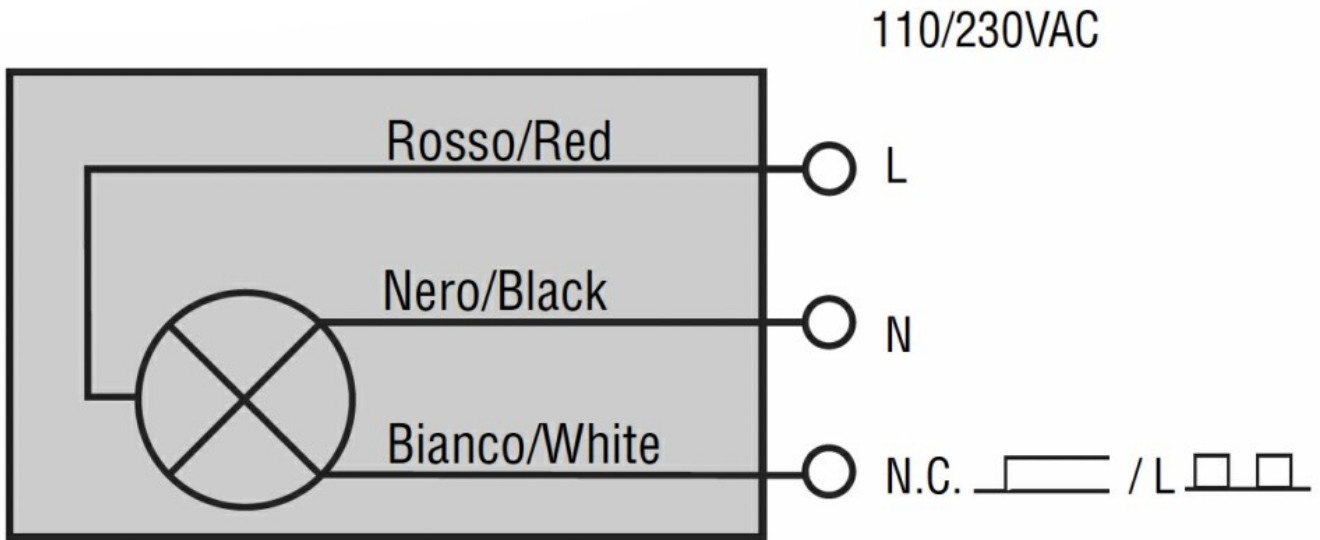
	Operating temperature		min	°C	-25
			max	°C	+60

	Storage temperature		min	°C	-40
			max	°C	+85

Dimensions



Wiring diagrams



Certifications and compliance

Compliance

CSA C22.2 n° 14

IEC/EN 60947-1

IEC/EN 60947-5-1

UL508

Certificates

EAC