



Illuminated disk  
for mushroom  
head  
pushbuttons -  
ISO13850  
SYMBOL  
LPXDAU

Product designation

Product type designation

**General characteristics**

Colour Yellow

**Electrical characteristics**

Supply voltage (AC) V 24

Supply voltage (DC) V 24

**Mechanical features**

Operating position allowable Any

Weight g 22

**Ambient conditions**

Temperature

Operating temperature

min °C -25

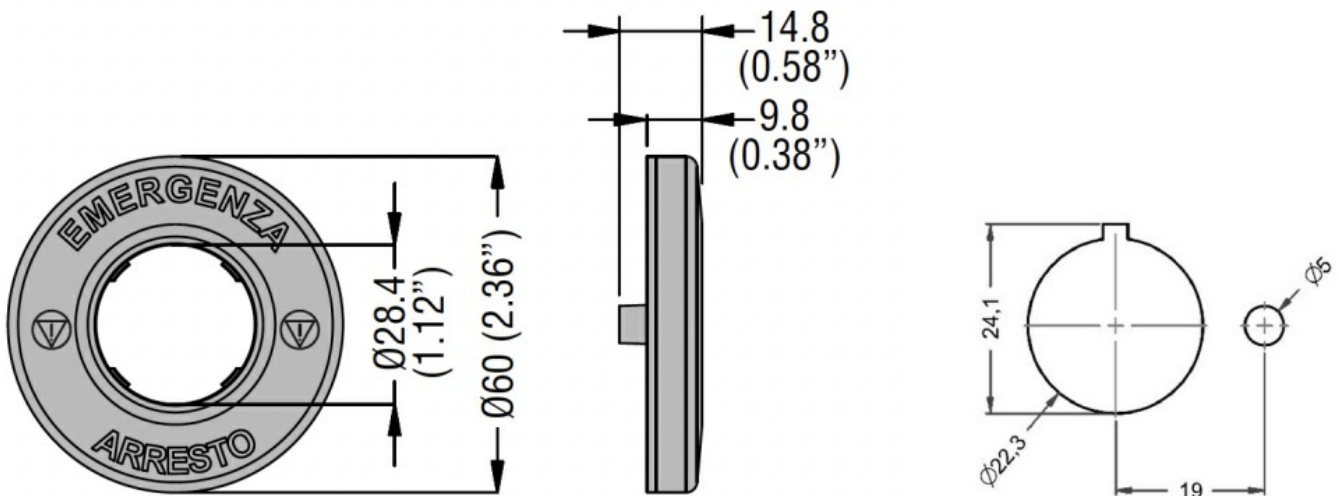
max °C +60

Storage temperature

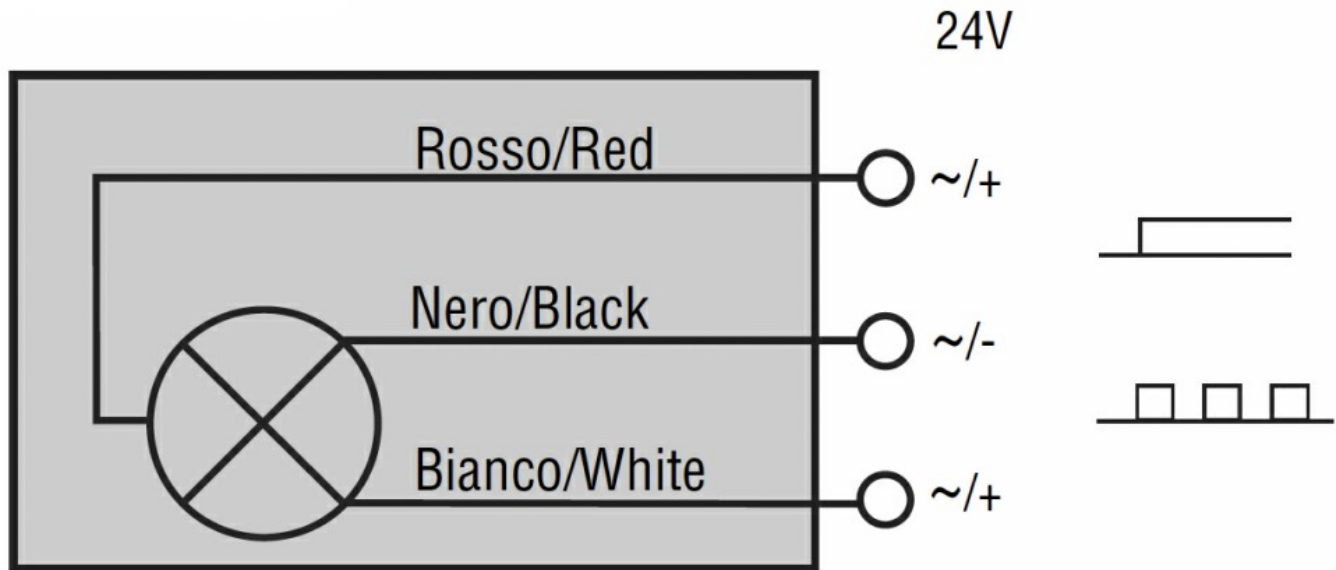
min °C -40

max °C +85

**Dimensions**



**Wiring diagrams**



**Certifications and compliance**

Compliance

CSA C22.2 n° 14

IEC/EN 60947-1

IEC/EN 60947-5-1

UL508

Certificates

cULus

EAC