



Illuminated disk  
for mushroom  
head  
pushbuttons -  
ARRET  
D'URGENCE/NOT  
AUS/PARO  
EMERGENCIA  
LPXDAU

Product designation

Product type designation

**General characteristics**

Colour Yellow

**Electrical characteristics**

Supply voltage (AC) V 220...240

**Mechanical features**

Operating position allowable Any

Weight g 22

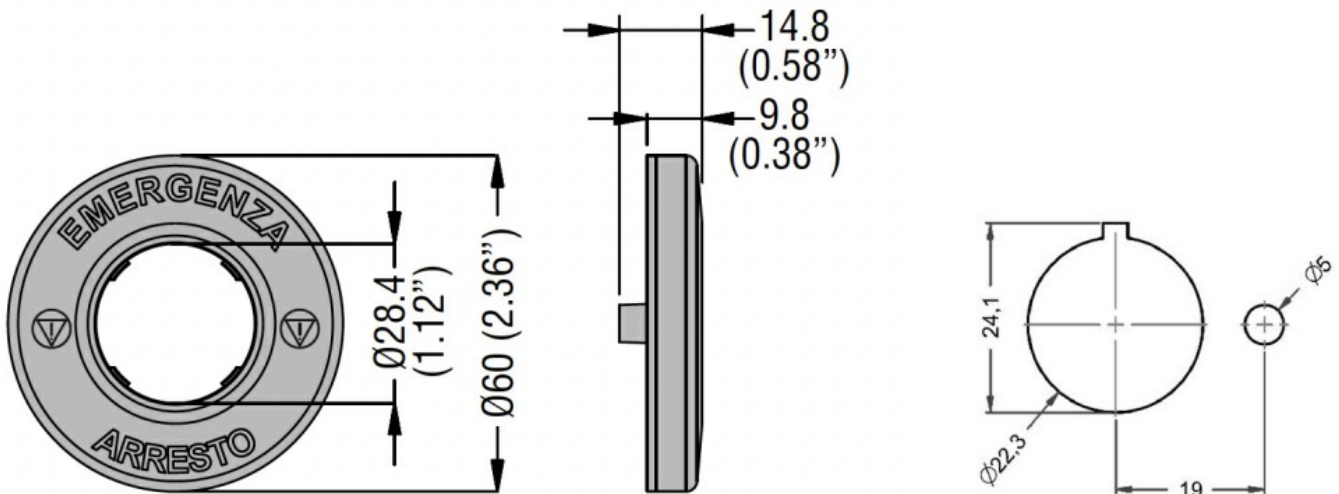
**Ambient conditions**

Temperature

	Operating temperature		min	°C	-25
			max	°C	+60

	Storage temperature		min	°C	-40
			max	°C	+85

**Dimensions**



**Wiring diagrams**

110/230VAC



**Certifications and compliance**

Compliance

CSA C22.2 n° 14

IEC/EN 60947-1

IEC/EN 60947-5-1

UL508

Certificates

EAC