



Illuminated disk for mushroom head pushbuttons - EMERGENCY STOP LPXDAU

Product designation

Product type designation

**General characteristics**

Colour Yellow

**Electrical characteristics**

Supply voltage (AC) V 220...240

**Mechanical features**

Operating position

allowable Any

Weight g 22

**Ambient conditions**

Temperature

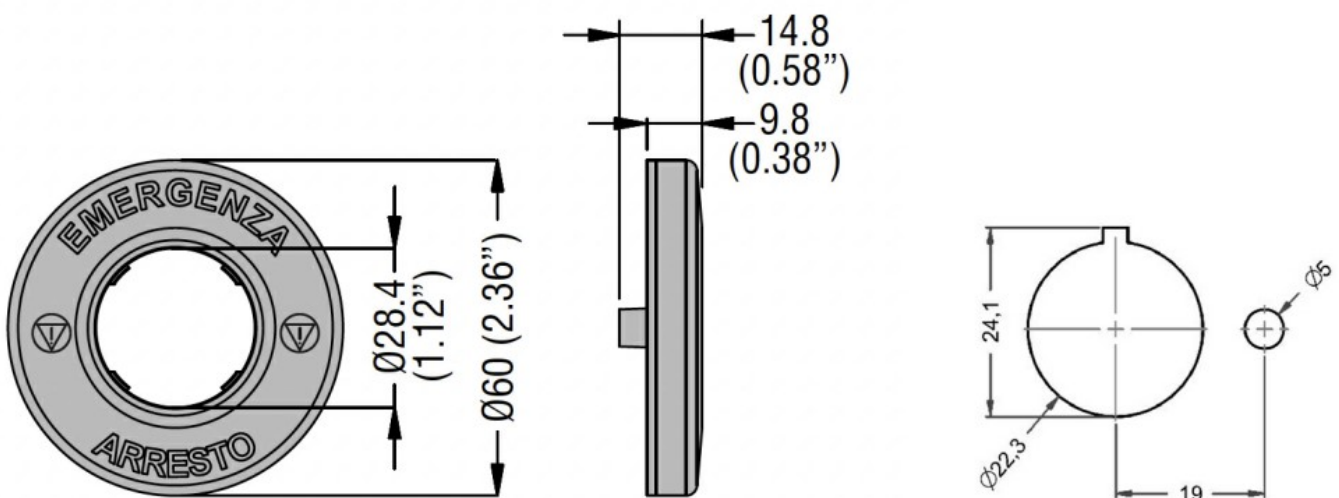
Operating temperature

min °C -25  
max °C +60

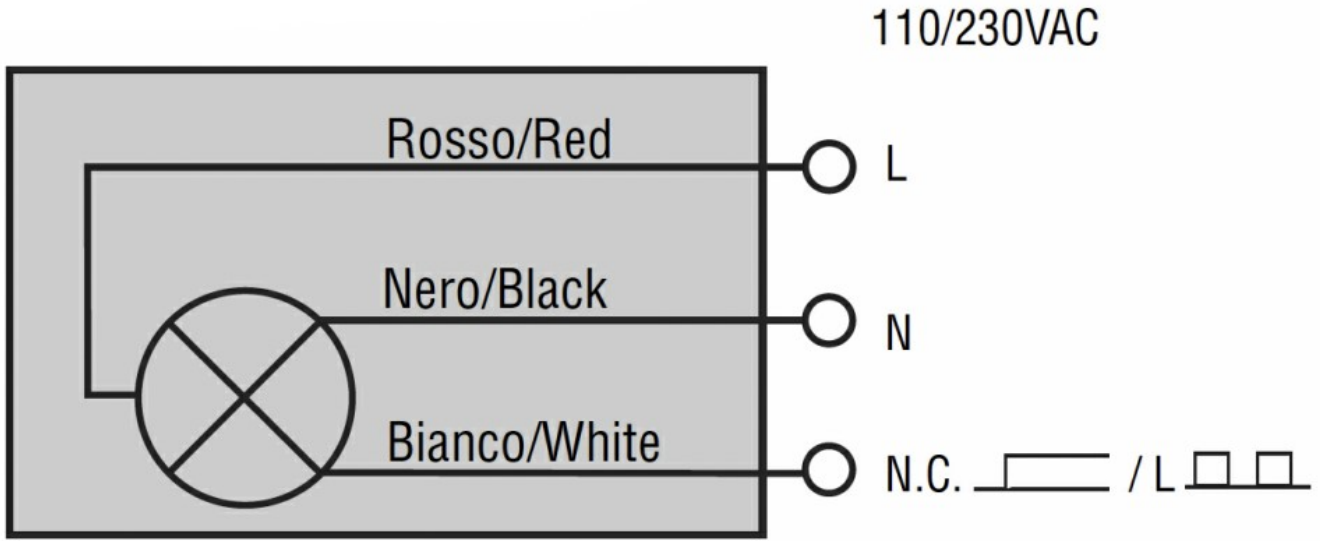
Storage temperature

min °C -40  
max °C +85

**Dimensions**



**Wiring diagrams**



**Certifications and compliance**

Compliance

CSA C22.2 n° 14

IEC/EN 60947-1

IEC/EN 60947-5-1

UL508

Certificates

EAC