



Contact elements
with spring-clamp
terminals
LPXCS

Product designation

Product type designation

Electrical characteristics

Rated insulation voltage U_i IEC/EN V 690

IEC Conventional free air thermal current I_{th} A 10

Conductivity 1mA 5V

UL/CSA and IEC/EN 60947-5-1 designation A600 Q600

Operating current AC15	V	A	
	12V	A	6
	24V	A	6
	48V	A	6
	120V	A	6
	240V	A	3
	400V	A	1.9
	480V	A	1.5
	500V	A	1.4
	600V	A	1.2

Operating current DC13	V	A	
	12V	A	3
	24V	A	3
	48V	A	1.5
	125V	A	0.55
	250V	A	0.27
	440V	A	0.15
	500V	A	0.13
	600V	A	0.1

Contact resistance mΩ ≤20

Operations

Electrical life cycles 1000000

Mechanical features

Operating force kg-lb ≤0.5kg/1.1lb

Terminals screw Spring clamps

Conductor section	AWG/kcmil conductor section		max	
	IEC	max		
		mm ²		14
				1 or 2 / 2.5

Mounting adapter LPXAU120

Weight g 10

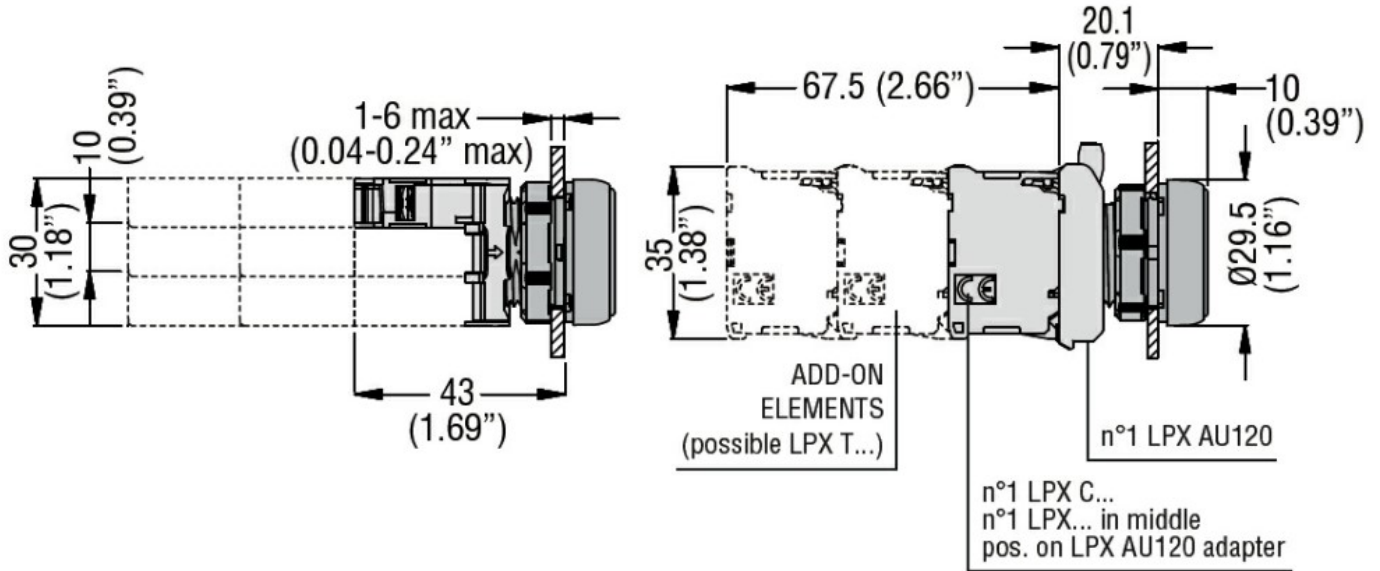
Ambient conditions

Temperature	Operating temperature		
	min	°C	
			-25
	max	°C	+70

Storage temperature

min	°C	-40
max	°C	+85

Dimensions



Wiring diagrams



Certifications and compliance

Compliance

CSA C22.2 n° 14
IEC/EN/BS 60947-1
IEC/EN/BS 60947-5-1
UL508

Certificates

CCC
cULus
EAC
RINA
UL

ETIM classification

ETIM 8.0

EC000041 -
Auxiliary contact
block