



Contact elements with spring-clamp terminals  
LPXCS

Product designation

Product type designation

**Electrical characteristics**

Rated insulation voltage  $U_i$  IEC/EN V 690

IEC Conventional free air thermal current  $I_{th}$  A 10

Conductivity 1mA 5V

UL/CSA and IEC/EN 60947-5-1 designation A600 Q600

Operating current AC15	V	A	
	12V	A	6
	24V	A	6
	48V	A	6
	120V	A	6
	240V	A	3
	400V	A	1.9
	480V	A	1.5
	500V	A	1.4
	600V	A	1.2

Operating current DC13	V	A	
	12V	A	3
	24V	A	3
	48V	A	1.5
	125V	A	0.55
	250V	A	0.27
	440V	A	0.15
	500V	A	0.13
	600V	A	0.1

Contact resistance mΩ ≤20

**Operations**

Electrical life cycles 1000000

**Mechanical features**

Operating force kg-lb ≤0.5kg/1.1lb

Terminals screw Spring clamps

Conductor section	AWG/kcmil conductor section		
		max	
			14
	IEC	max	mm <sup>2</sup>
			1 or 2 / 2.5

Mounting adapter LPXAU120

Weight g 10

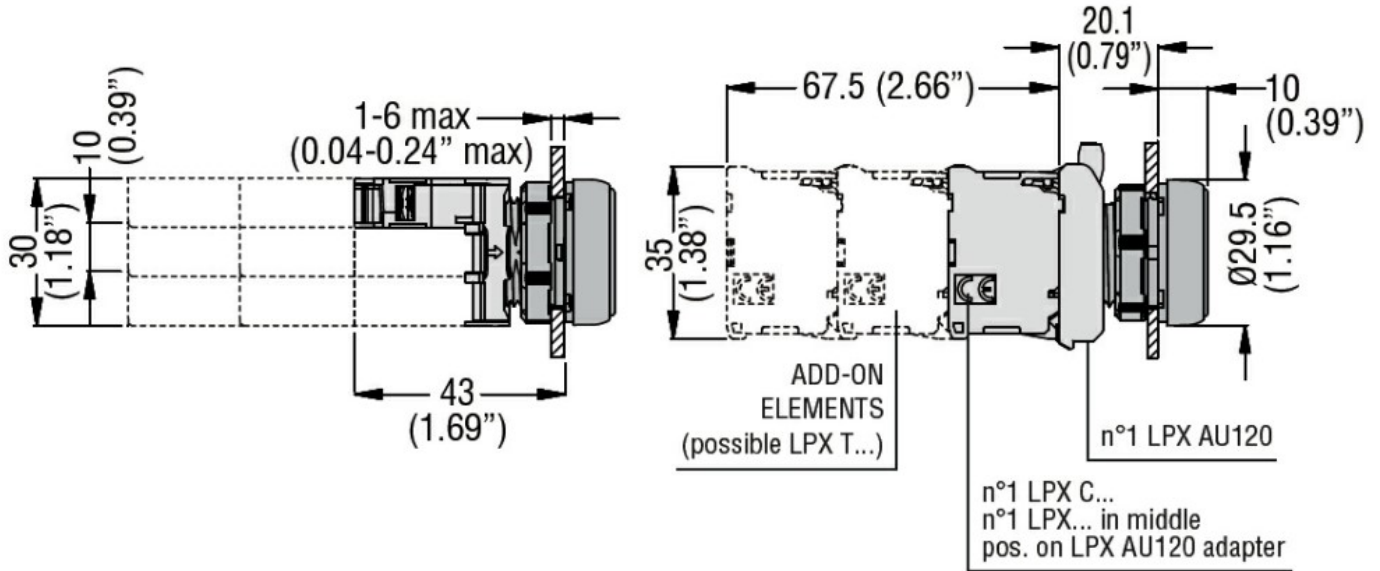
**Ambient conditions**

Temperature	Operating temperature		
	min	°C	
			-25
	max	°C	
			+70

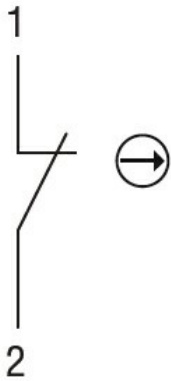
Storage temperature

min	°C	-40
max	°C	+85

**Dimensions**



**Wiring diagrams**



**Certifications and compliance**

Compliance

- CSA C22.2 n° 14
- IEC/EN/BS 60947-1
- IEC/EN/BS 60947-5-1
- UL508

Certificates

- CCC
- cULus
- EAC
- RINA
- UL

**ETIM classification**

ETIM 8.0

EC000041 -  
Auxiliary contact  
block