



Contact elements
- without
mounting adapter
LPXC

Product designation

Product type designation

Electrical characteristics

Rated insulation voltage U_i IEC/EN	V	690
IEC Conventional free air thermal current I_{th}	A	10
Conductivity		1mA 5V
UL/CSA and IEC/EN 60947-5-1 designation		A600 Q600
Operating current AC15		

12V	A	6
24V	A	6
48V	A	6
120V	A	6
240V	A	3
400V	A	1.9
480V	A	1.5
500V	A	1.4
600V	A	1.2

Operating current DC13

12V	A	3
24V	A	3
48V	A	1.5
125V	A	0.55
250V	A	0.27
440V	A	0.15
500V	A	0.13
600V	A	0.1

Contact resistance	mΩ	≤20
--------------------	----	-----

Operations

Electrical life	cycles	1000000
-----------------	--------	---------

Mechanical features

Operating force	kg-lb	≤0.5Kg/1.1lb
-----------------	-------	--------------

Tightening torque for terminals max	Nm	1
-------------------------------------	----	---

Terminals screw		Screw
-----------------	--	-------

Conductor section			
AWG/kcmil conductor section			
	max		14
IEC			
	max	mm ²	1 or 2 / 2.5

Mounting adapter		LPXAU120; LPXAU120M
------------------	--	------------------------

Weight	g	22
--------	---	----

Ambient conditions

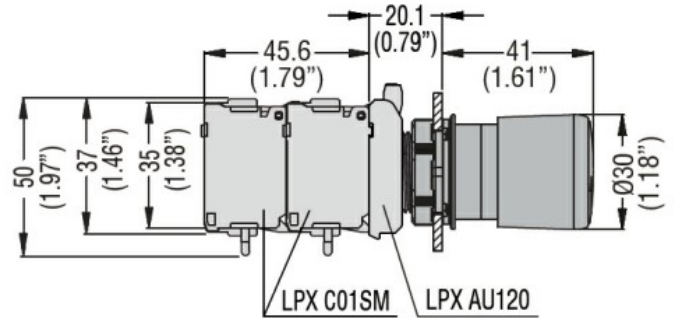
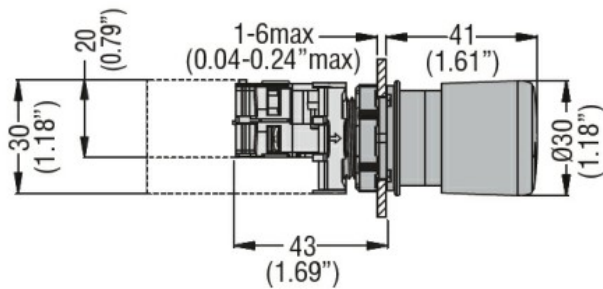
Temperature		
Operating temperature		

min	°C	-25
max	°C	+70

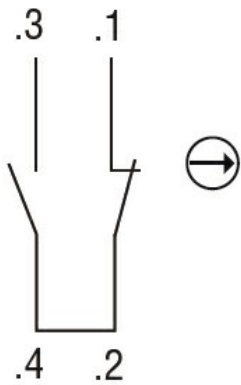
Storage temperature

min	°C	-40
max	°C	+85

Dimensions



Wiring diagrams



Certifications and compliance

Compliance

CSA C22.2 n° 14
IEC/EN/BS 60947-1
IEC/EN/BS 60947-5-1
UL508

Certificates

CCC
cULus
EAC
RINA
UL

ETIM classification

ETIM 8.0

EC000041 -
Auxiliary contact
block