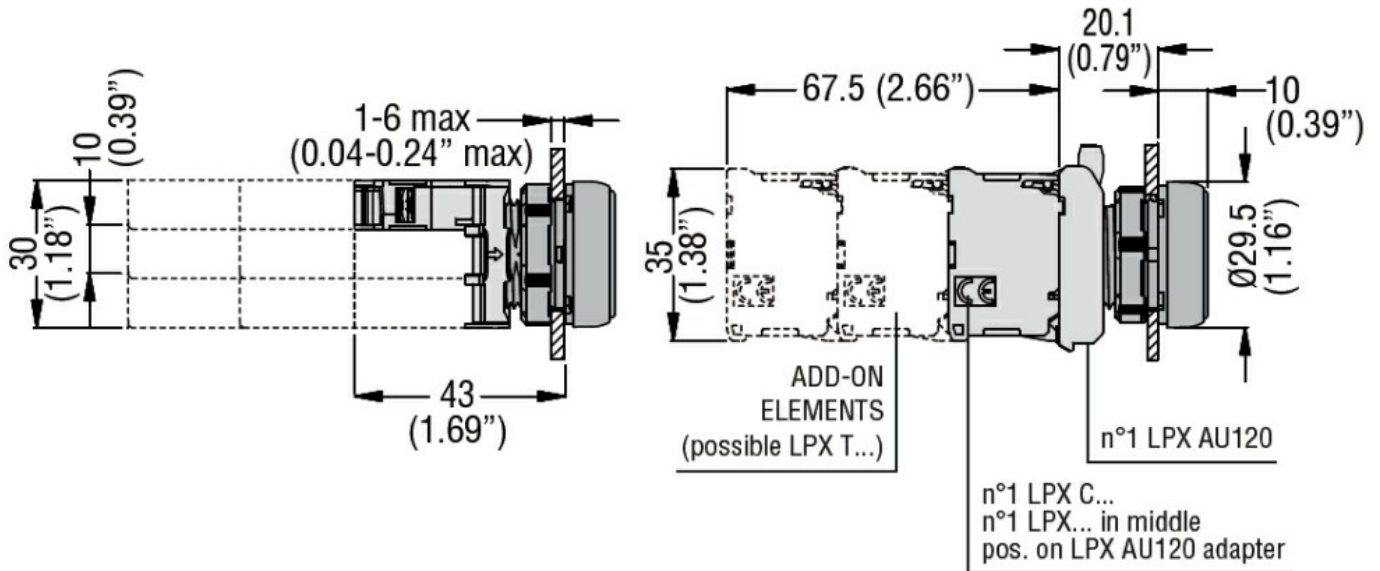




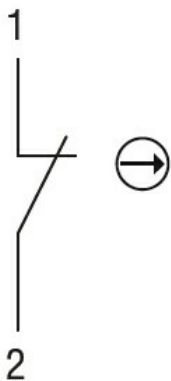
| | | | | |
|--|-----------------------------|-----------------|--------------|---|
| Product designation | | | | Contact elements - without mounting adapter LPXC |
| Product type designation | | | | LPXC |
| Electrical characteristics | | | | |
| Rated insulation voltage U_i IEC/EN | V | | | 690 |
| IEC Conventional free air thermal current I_{th} | A | | | 10 |
| Conductivity | | | | 1mA 5V |
| UL/CSA and IEC/EN 60947-5-1 designation | | | | A600 Q600 |
| Operating current AC15 | | | | |
| | 12V | A | 6 | |
| | 24V | A | 6 | |
| | 48V | A | 6 | |
| | 120V | A | 6 | |
| | 240V | A | 3 | |
| | 400V | A | 1.9 | |
| | 480V | A | 1.5 | |
| | 500V | A | 1.4 | |
| | 600V | A | 1.2 | |
| Operating current DC13 | | | | |
| | 12V | A | 3 | |
| | 24V | A | 3 | |
| | 48V | A | 1.5 | |
| | 125V | A | 0.55 | |
| | 250V | A | 0.27 | |
| | 440V | A | 0.15 | |
| | 500V | A | 0.13 | |
| | 600V | A | 0.1 | |
| Contact resistance | | | mΩ | ≤20 |
| Operations | | | | |
| Electrical life | | | cycles | 1000000 |
| Mechanical features | | | | |
| Operating force | | | kg-lb | ≤0.5Kg/1.1lb |
| Tightening torque for terminals max | | | Nm | 1 |
| Terminals screw | | | Screw | |
| Conductor section | AWG/kcmil conductor section | | | |
| | | | max | 14 |
| | IEC | | | |
| | max | mm ² | 1 or 2 / 2.5 | |
| Mounting adapter | | | LPXAU120 | |
| Weight | | | g | 11 |
| Ambient conditions | | | | |
| Temperature | Operating temperature | | | |
| | min | °C | -25 | |

| | | | |
|---------------------|-----|----|-----|
| Storage temperature | max | °C | +70 |
| | min | °C | -40 |
| | max | °C | +85 |

Dimensions



Wiring diagrams



Certifications and compliance

Compliance

CSA C22.2 n° 14
IEC/EN/BS 60947-1
IEC/EN/BS 60947-5-1
UL508

Certificates

CCC
cULus
EAC
RINA
UL

ETIM classification

ETIM 8.0

EC000041 -
Auxiliary contact
block