



Product designation

Flush-extended
 spring return
 actuator with no
 cap
 LPXB0

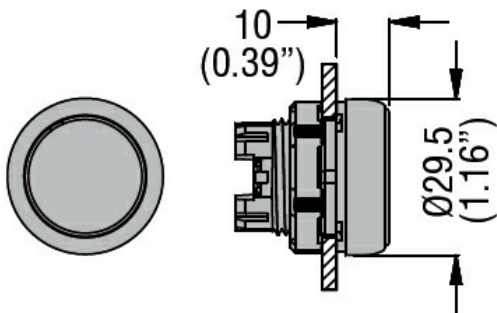
Product type designation

Mechanical features

Weight

g 13

Dimensions



Certifications and compliance

Compliance

/

Certificates

/

ETIM classification

ETIM 8.0

EC000029 -
 Push-switch
 button