



Padlockable protection, Ø5-8mm locks or buttons LPC B66/B67/B68/BL664...; for LPC B634... Ø5-6mm/0.2-0.24" locks only  
LPXAU158

Product designation

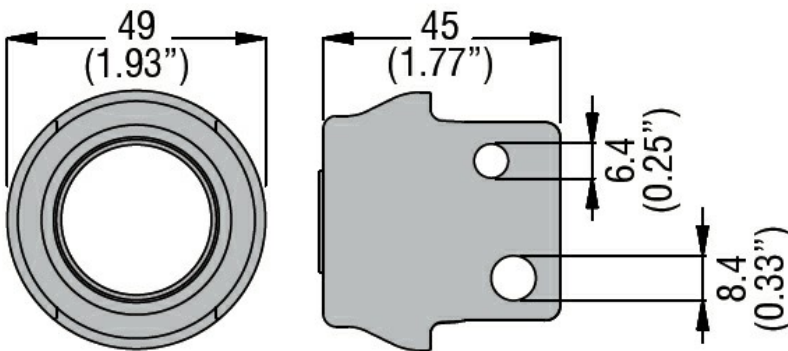
Product type designation

**Mechanical features**

Weight

g 5

**Dimensions**



**Certifications and compliance**

Compliance

/

Certificates

/

**ETIM classification**

ETIM 8.0

EC002498 - Accessories/spare parts for low-voltage switch technology