



Product designation	Mechanical reset buttons, complete unit, spring return LPSR10
Product type designation	LPSR10

General characteristics

Colour	Black
--------	-------

Type of positions	Mechanical reset button
-------------------	-------------------------

Material	Aluminium and zinc alloy for metal parts and polyamide for plastic parts
----------	--

IEC degree of protection	IP66, IP67 and IP69K
--------------------------	----------------------

Mechanical features

Mechanical life	cycles	5000000
-----------------	--------	---------

Fixing	Without mounting adapter
--------	--------------------------

Mounting adapter	LPXAU120M
------------------	-----------

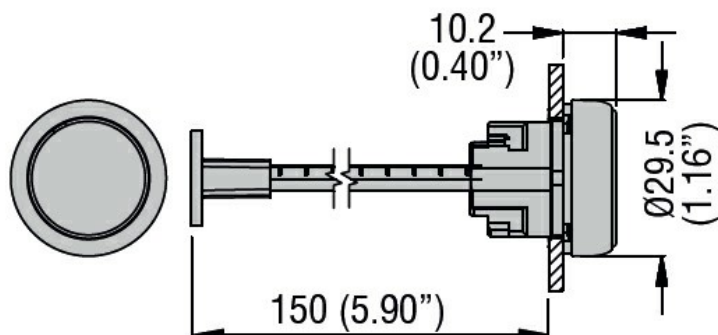
UL technical data

UL degree of protection	Type1, 2, 3R, 4, 4X, 12, 12K
-------------------------	------------------------------

Ambient conditions

Temperature	Operating temperature	min	°C	-25
		max	°C	+70
	Storage temperature	min	°C	-40
		max	°C	+85

Dimensions



Certifications and compliance

Compliance	
------------	--

CSA C22.2 n° 14

IEC/EN/BS 60947-1

IEC/EN/BS 60947-5-1

UL508

Certificates

cULus

ETIM classification

ETIM 8.0

EC000029 -
Push-switch
button