



LED integrated monoblock pilot lights steady light LPML

Product designation

Product type designation

General characteristics

Colour	Orange
Type of positions	Monoblock pilot light
Material	Polyamide
IEC degree of protection	IP66, IP67 and IP69K on front; IP20 on rear

Electrical characteristics

Rated frequency	Hz	50-60
Supply voltage (AC)	V	24 (-15% ... +10% Ue)
Supply voltage (DC)	V	24 (-15% ... +10% Ue)

Operations

Electrical life	hours	>30000
-----------------	-------	--------

Mechanical features

Tightening torque for terminals max	Nm	0.8
Terminals screw	Screw termination	

Conductor section

AWG/kcmil conductor section

min	18
max	16

IEC

max	mm ²	2.5
-----	-----------------	-----

Fixing

Ring fixing
Ø22mm

Weight

g 21

UL technical data

UL degree of protection

Type1, 2, 3R, 4, 4X, 12, 12K on front

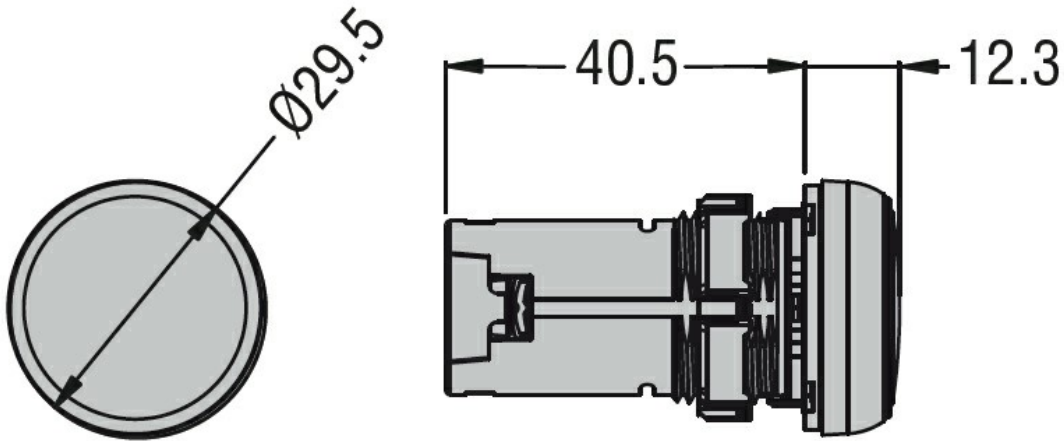
Ambient conditions

Temperature

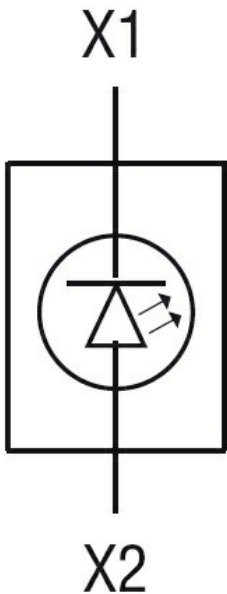
Operating temperature

min	°C	-25
max	°C	+70

Dimensions



Wiring diagrams



Certifications and compliance

Compliance

CSA C22.2 n° 14
IEC/EN/BS 60947-1
IEC/EN/BS 60947-5-1
UL508

Certificates

cULus
EAC

ETIM classification

ETIM 8.0

EC000272 -
Indicator light
complete