



Product designation Pilot light head  
Product type designation LPL

**General characteristics**

Colour Transparent  
Material Polyamide  
IEC degree of protection IP66, IP67 and IP69K

**Mechanical features**

Mounting adapter LPXAU120  
Weight g 24

**UL technical data**

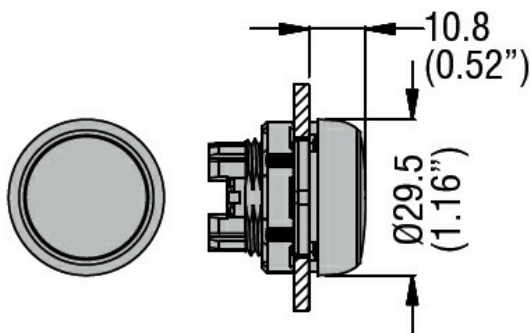
UL degree of protection Type1, 2, 3R, 4, 4X, 12, 12K

**Ambient conditions**

Temperature

Operating temperature		min	°C	-25
		max	°C	+70
Storage temperature		min	°C	-40
		max	°C	+85

**Dimensions**



**Certifications and compliance**

Compliance

CSA C22.2 n° 14
IEC/EN/BS 60947-1
IEC/EN/BS 60947-5-1
UL508

Certificates

CCC
cULus
EAC
RINA

**ETIM classification**

ETIM 8.0

EC002024 -  
Accessories/spare  
parts for  
command  
devices