



Product designation Pilot light head
Product type designation LPL

General characteristics

Colour Green
Material Polyamide
IEC degree of protection IP66, IP67 and IP69K

Mechanical features

Mounting adapter LPXAU120
Weight g 24

UL technical data

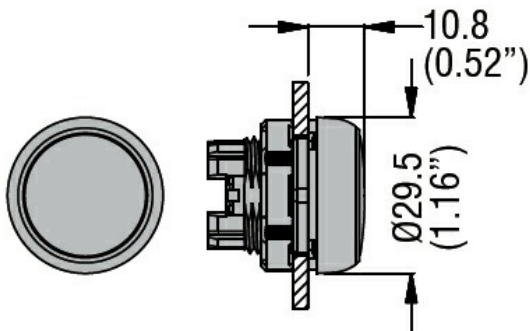
UL degree of protection Type1, 2, 3R, 4, 4X, 12, 12K

Ambient conditions

Temperature

Operating temperature		min	°C	-25
		max	°C	+70
Storage temperature		min	°C	-40
		max	°C	+85

Dimensions



Certifications and compliance

Compliance

CSA C22.2 n° 14
IEC/EN/BS 60947-1
IEC/EN/BS 60947-5-1
UL508

Certificates

CCC
cULus
EAC
RINA

ETIM classification

ETIM 8.0

EC002024 -
Accessories/spare
parts for
command
devices