



Label holder
LPFXAU105G

Product designation
Product type designation

Ambient conditions

Temperature

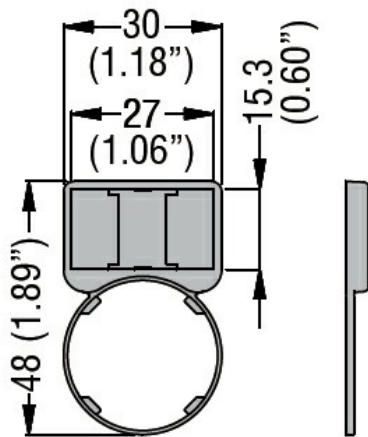
Operating temperature

min	°C	-25
max	°C	+70

Storage temperature

min	°C	-40
max	°C	+85

Dimensions



Certifications and compliance

Compliance

/

Certificates

/

ETIM classification

ETIM 8.0

EC002024 -
Accessories/spare
parts for
command
devices