



Product designation  
 Product type designation

Label holder  
 LPFXAU105

**Ambient conditions**

Temperature

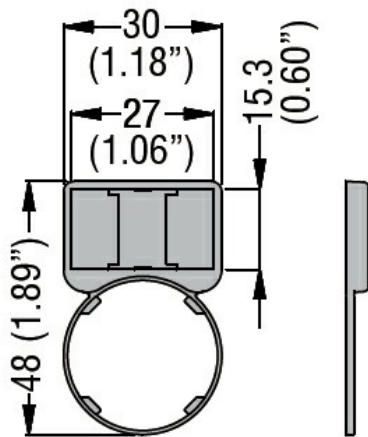
Operating temperature

min	°C	-25
max	°C	+70

Storage temperature

min	°C	-40
max	°C	+85

**Dimensions**



**Certifications and compliance**

Compliance

/

Certificates

/

**ETIM classification**

ETIM 8.0

EC002024 -  
 Accessories/spare  
 parts for  
 command  
 devices