



Label holder  
LPFXAU100

Product designation  
Product type designation

**Ambient conditions**

Temperature

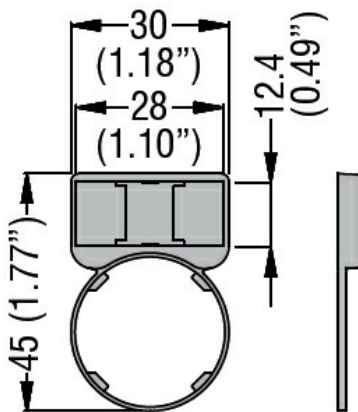
Operating temperature

min	°C	-25
max	°C	+70

Storage temperature

min	°C	-40
max	°C	+85

**Dimensions**



**Certifications and compliance**

Compliance

/

Certificates

/

**ETIM classification**

ETIM 8.0

EC002024 -  
Accessories/spare  
parts for  
command  
devices