



Selector switch  
actuators long  
lever - 3 position  
LPCS23

Product designation

Product type designation

**General characteristics**

Colour	Black
Type of positions	1 > 0 - 2
Material	Polyamide
IEC degree of protection	IP66, IP67 and IP69K

**Mechanical features**

Mechanical life	cycles	1000000
Mounting adapter		LPXAU120
Weight	g	40

**UL technical data**

UL degree of protection	Type1, 2, 3R, 4, 4X, 12, 12K
-------------------------	------------------------------

**Ambient conditions**

Temperature

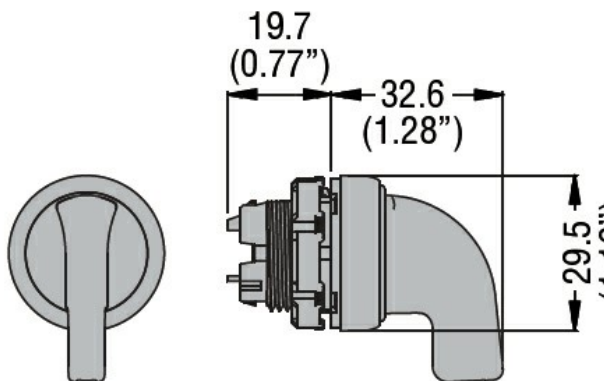
Operating temperature

min	°C	-25
max	°C	+70

Storage temperature

min	°C	-40
max	°C	+85

**Dimensions**



**Certifications and compliance**

Compliance

CSA C22.2 n° 14
IEC/EN/BS 60947-1
IEC/EN/BS 60947-5-1
UL508

Certificates

CCC

---

cULus

ETIM classification

ETIM 8.0

EC000222 -  
Front element for  
selector switch