



Product designation	Mechanical reset buttons, complete unit, spring return LPCR11
Product type designation	LPCR11

**General characteristics**

Colour	Blue (RESET)
Type of positions	Mechanical reset flush pushbutton
Material	Polyamide
IEC degree of protection	IP66, IP67 and IP69K

**Mechanical features**

Operating force	kg-lb	<0.5Kg / 1.1lb
Mechanical life	cycles	5000000
Fixing		Without mounting adapter
Mounting adapter		LPXAU120
Weight	g	28

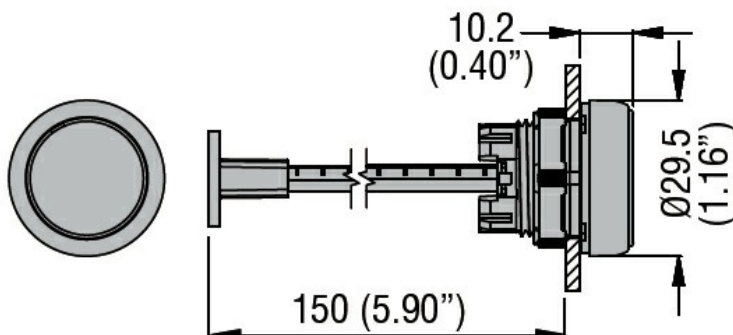
**UL technical data**

UL degree of protection	Type1, 2, 3R, 4, 4X, 12, 12K
-------------------------	------------------------------

**Ambient conditions**

Temperature	Operating temperature	min	°C	-25
		max	°C	+70
	Storage temperature	min	°C	-40
		max	°C	+85

**Dimensions**



**Certifications and compliance**

Compliance	CSA C22.2 n° 14 IEC/EN/BS 60947-1
------------	--------------------------------------

MECHANICAL RESET BUTTON, COMPLETE UNIT, SPRING RETURN Ø22MM PLATINUM  
SERIES CHROMED PLASTIC, FLUSH. ADJUSTABLE LENGTH 0...150MM/5.9IN, BLUE WITH  
"RESET" CAPTION

---

IEC/EN/BS 60947-5-1  
UL508

---

Certificates

---

CCC  
cULus  
EAC  
RINA

---

ETIM classification

ETIM 8.0

EC000221 -  
Front element for  
push button