



|                          |   |
|--------------------------|---|
| Product designation      | ILLUMINATED push-push button actuators - Extended |
| Product type designation | LPCQL20   |

**General characteristics**

|                          |                                       |
|--------------------------|---------------------------------------|
| Colour                   | Yellow                                |
| Type of positions        | Extended pushbutton. Push on-push off |
| Material                 | Polyamide                             |
| IEC degree of protection | IP66, IP67 and IP69K                  |

**Mechanical features**

|                                       |        |                |
|---------------------------------------|--------|----------------|
| Operating force                       | kg-lb  | <0.5Kg / 1.1lb |
| Mechanical life - Push-Push actuators | cycles | 500000         |
| Mounting adapter                      |        | LPXAU120       |
| Weight                                | g      | 27             |

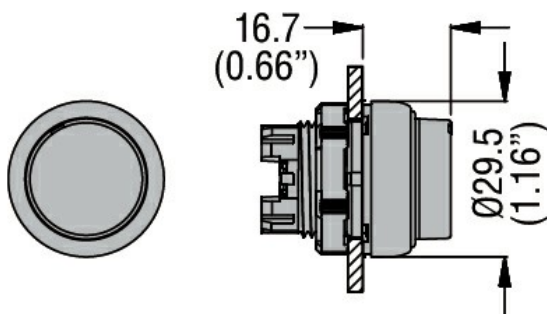
**UL technical data**

|                         |                              |
|-------------------------|------------------------------|
| UL degree of protection | Type1, 2, 3R, 4, 4X, 12, 12K |
|-------------------------|------------------------------|

**Ambient conditions**

|             |                       |     |    |     |
|-------------|-----------------------|-----|----|-----|
| Temperature |                       |     |    |     |
|             | Operating temperature | min | °C | -25 |
|             |                       | max | °C | +70 |
|             | Storage temperature   | min | °C | -40 |
|             |                       | max | °C | +85 |

**Dimensions**



**Certifications and compliance**

|            |                     |
|------------|---------------------|
| Compliance | CSA C22.2 n° 14     |
|            | IEC/EN/BS 60947-1   |
|            | IEC/EN/BS 60947-5-1 |

---

UL508

---

Certificates

CCC

---

cULus

---

EAC

---

RINA

ETIM classification

ETIM 8.0

EC000221 -  
Front element for  
push button