



Product designation	ILLUMINATED push-push button actuators - Extended
Product type designation	LPCQL20

**General characteristics**

Colour	Red
Type of positions	Extended pushbutton. Push on-push off
Material	Polyamide
IEC degree of protection	IP66, IP67 and IP69K

**Mechanical features**

Operating force	kg-lb	<0.5Kg / 1.1lb
Mechanical life - Push-Push actuators	cycles	500000
Mounting adapter		LPXAU120
Weight	g	27

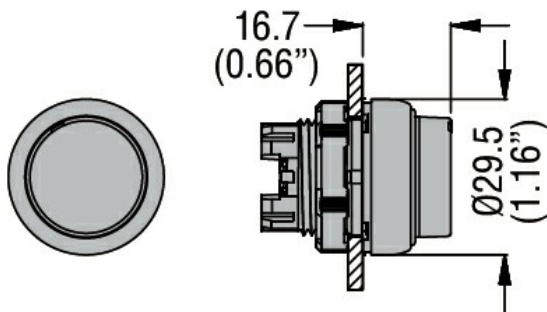
**UL technical data**

UL degree of protection	Type1, 2, 3R, 4, 4X, 12, 12K
-------------------------	------------------------------

**Ambient conditions**

Temperature				
	Operating temperature			
		min	°C	-25
		max	°C	+70
	Storage temperature			
		min	°C	-40
		max	°C	+85

**Dimensions**



**Certifications and compliance**

Compliance	CSA C22.2 n° 14
	IEC/EN/BS 60947-1
	IEC/EN/BS 60947-5-1

---

UL508

---

Certificates

CCC

---

cULus

---

EAC

---

RINA

ETIM classification

ETIM 8.0

EC000221 -  
Front element for  
push button