

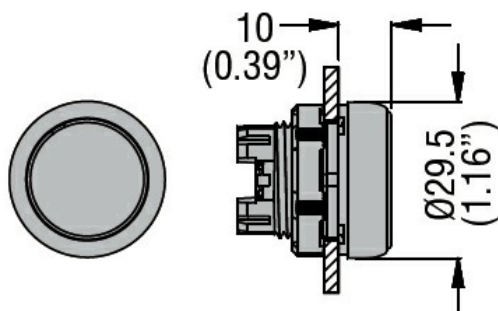


Product designation	Push-push button actuators		
Product type designation	LPCQ20		
General characteristics			
Colour	White		
Type of positions	Extended pushbutton. Push on-push off		
Material	Polyamide		
IEC degree of protection	IP66, IP67 and IP69K		
Mechanical features			
Operating force	kg-lb	<0.5Kg / 1.1lb	
Mechanical life - Push-Push actuators	cycles	500000	
Fixing	Without mounting adapter		
Mounting adapter	LPXC10A (1EM) / LPXC01 (1NC)		
Weight	g	27	
UL technical data			
UL degree of protection	Type1, 2, 3R, 4, 4X, 12, 12K		

Ambient conditions

Temperature			
Operating temperature			
	min	°C	-25
	max	°C	+70
Storage temperature			
	min	°C	-40
	max	°C	+85

Dimensions



Certifications and compliance

Compliance

CSA C22.2 n° 14
IEC/EN/BS 60947-1

IEC/EN/BS 60947-5-1

UL508

Certificates

CCC

cULus

EAC

RINA

ETIM classification

ETIM 8.0

EC000221 -
Front element for
push button