

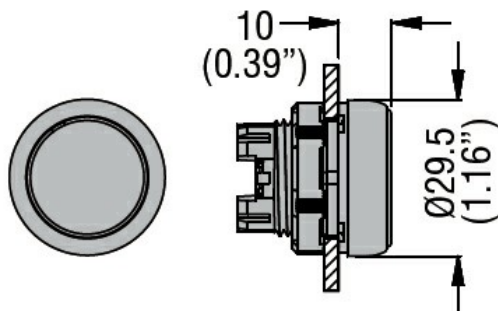


| | | | |
|---------------------------------------|---------------------------------------|----------------|--|
| Product designation | Push-push button actuators | | |
| Product type designation | LPCQ20 | | |
| General characteristics | | | |
| Colour | Green | | |
| Type of positions | Extended pushbutton. Push on-push off | | |
| Material | Polyamide | | |
| IEC degree of protection | IP66, IP67 and IP69K | | |
| Mechanical features | | | |
| Operating force | kg-lb | <0.5Kg / 1.1lb | |
| Mechanical life - Push-Push actuators | cycles | 500000 | |
| Fixing | Without mounting adapter | | |
| Mounting adapter | LPXC10A (1EM) / LPXC01 (1NC) | | |
| Weight | g | 27 | |

| | | | |
|--------------------------|------------------------------|--|--|
| UL technical data | | | |
| UL degree of protection | Type1, 2, 3R, 4, 4X, 12, 12K | | |

| | | | |
|---------------------------|-----|----|-----|
| Ambient conditions | | | |
| Temperature | | | |
| Operating temperature | | | |
| | min | °C | -25 |
| | max | °C | +70 |
| Storage temperature | | | |
| | min | °C | -40 |
| | max | °C | +85 |

Dimensions



Certifications and compliance

| | |
|------------|--------------------------------------|
| Compliance | CSA C22.2 n° 14 IEC/EN/BS 60947-1 |
|------------|--------------------------------------|

IEC/EN/BS 60947-5-1

UL508

Certificates

CCC

cULus

EAC

RINA

ETIM classification

ETIM 8.0

EC000221 -
Front element for
push button