



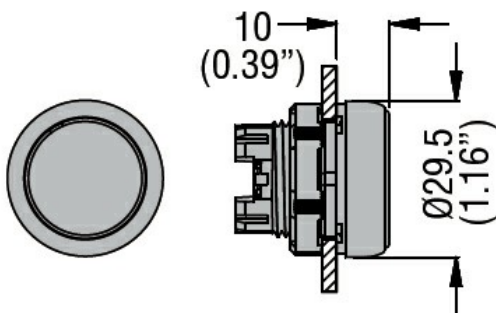
|                                |                                       |
|--------------------------------|---------------------------------------|
| Product designation            | Push-push button actuators            |
| Product type designation       | LPCQ10                                |
| <b>General characteristics</b> |                                       |
| Colour                         | Yellow                                |
| Type of positions              | Flush pushbutton.<br>Push on-push off |
| Material                       | Polyamide                             |
| IEC degree of protection       | IP66, IP67 and IP69K                  |

|                                       |                                 |
|---------------------------------------|---------------------------------|
| <b>Mechanical features</b>            |                                 |
| Operating force                       | kg-lb <0.5Kg / 1.1lb            |
| Mechanical life - Push-Push actuators | cycles 500000                   |
| Fixing                                | Without mounting adapter        |
| Mounting adapter                      | LPXC10A (1EM)<br>/ LPXC01 (1NC) |
| Weight                                | g 25                            |

|                          |                              |
|--------------------------|------------------------------|
| <b>UL technical data</b> |                              |
| UL degree of protection  | Type1, 2, 3R, 4, 4X, 12, 12K |

|                           |        |
|---------------------------|--------|
| <b>Ambient conditions</b> |        |
| Temperature               |        |
| Operating temperature     |        |
| min                       | °C -25 |
| max                       | °C +70 |
| Storage temperature       |        |
| min                       | °C -40 |
| max                       | °C +85 |

**Dimensions**



**Certifications and compliance**

|            |                     |
|------------|---------------------|
| Compliance | CSA C22.2 n° 14     |
|            | IEC/EN/BS 60947-1   |
|            | IEC/EN/BS 60947-5-1 |

---

UL508

---

Certificates

CCC

---

cULus

---

EAC

---

RINA

ETIM classification

ETIM 8.0

EC000221 -  
Front element for  
push button