



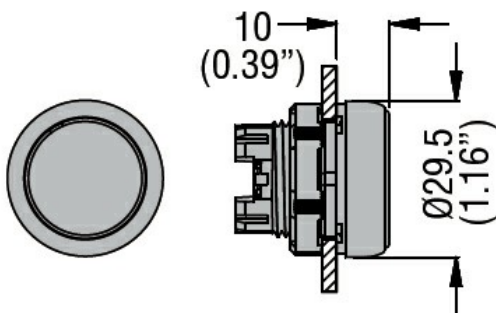
Product designation	Push-push button actuators
Product type designation	LPCQ10
General characteristics	
Colour	Black
Type of positions	Flush pushbutton. Push on-push off
Material	Polyamide
IEC degree of protection	IP66, IP67 and IP69K

Mechanical features	
Operating force	kg-lb <0.5Kg / 1.1lb
Mechanical life - Push-Push actuators	cycles 500000
Fixing	Without mounting adapter
Mounting adapter	LPXC10A (1EM) / LPXC01 (1NC)
Weight	g 25

UL technical data	
UL degree of protection	Type1, 2, 3R, 4, 4X, 12, 12K

Ambient conditions	
Temperature	
Operating temperature	
min	°C -25
max	°C +70
Storage temperature	
min	°C -40
max	°C +85

Dimensions



Certifications and compliance

Compliance	CSA C22.2 n° 14
	IEC/EN/BS 60947-1
	IEC/EN/BS 60947-5-1

UL508

Certificates

CCC

cULus

EAC

RINA

ETIM classification

ETIM 8.0

EC000221 -
Front element for
push button