



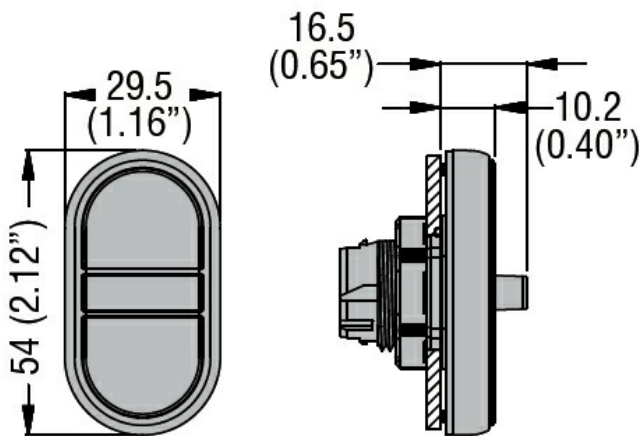
General characteristics

Colour	Green/Red/Green
Type of positions	Triple-touch

Mechanical features

Mechanical life	cycles	1000000
-----------------	--------	---------

Dimensions



Certifications and compliance

Compliance

CSA C22.2 n° 14
IEC/EN/BS 60947-1
IEC/EN/BS 60947-5-1
UL508

Certificates

CCC
cULus
EAC
RINA

ETIM classification

ETIM 8.0

EC000221 -
Front element for
push button