



Double-touch  
actuators, spring  
return - two flush  
pushbuttons  
LPCB71

Product designation

Product type designation

**General characteristics**

|                          |   |
|--------------------------|---|
| Colour                   | White/Black                                   |
| Type of positions        | Double-touch<br>with two flush<br>pushbuttons |
| Material                 | Polyamide                                     |
| IEC degree of protection | IP66, IP67 and<br>IP69K                       |

**Mechanical features**

|                  |        |                |
|------------------|--------|----------------|
| Operating force  | kg-lb  | <0.5Kg / 1.1lb |
| Mechanical life  | cycles | 1000000        |
| Mounting adapter |        | LPXAU120       |
| Weight           | g      | 30             |

**UL technical data**

|                         |                                 |
|-------------------------|---------------------------------|
| UL degree of protection | Type1, 2, 3R, 4,<br>4X, 12, 12K |
|-------------------------|---------------------------------|

**Ambient conditions**

Temperature

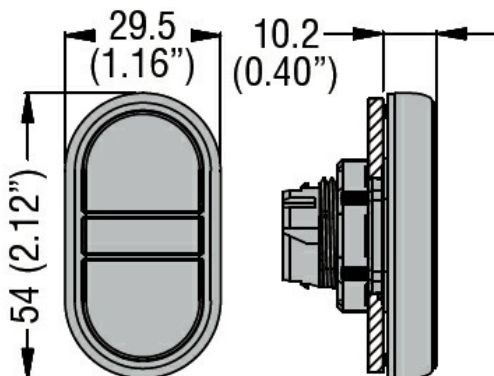
Operating temperature

|     |    |     |
|-----|----|-----|
| min | °C | -25 |
| max | °C | +70 |

Storage temperature

|     |    |     |
|-----|----|-----|
| min | °C | -40 |
| max | °C | +85 |

**Dimensions**



**Certifications and compliance**

Compliance

CSA C22.2 n° 14  
IEC/EN/BS 60947-1

---

IEC/EN/BS 60947-5-1

---

UL508

Certificates

---

CCC

---

cULus

---

EAC

---

RINA

ETIM classification

ETIM 8.0

EC000221 -  
Front element for  
push button