



Mushroom head pushbutton, Latch, turn key to release Ø 40mm/1.6" LPCB684

Product designation

Product type designation

General characteristics

Colour	Red
Type of positions	Mushroom head pushbutton
Material	Polyamide
IEC degree of protection	IP66, IP67 and IP69K

Mechanical features

Operating force	kg-lb	<0.5Kg / 1.1lb
Mechanical life - Latch actuators	cycles	300000
Mounting adapter		LPXAU120
Weight	g	83

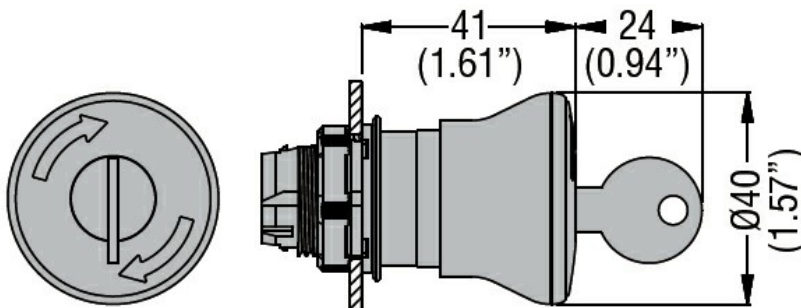
UL technical data

UL degree of protection	Type1, 2, 3R, 4, 4X, 12, 12K
-------------------------	------------------------------

Ambient conditions

Temperature	Operating temperature		
	min	°C	-25
	max	°C	+70
	Storage temperature		
	min	°C	-40
	max	°C	+85

Dimensions



Certifications and compliance

Compliance

- CSA C22.2 n° 14
- IEC/EN/BS 60947-1
- IEC/EN/BS 60947-5-1
- UL508

Certificates

CCC

cULus

EAC

RINA

UL

ETIM classification

ETIM 8.0

EC001038 -
Front element for
mushroom push-
button