



Mushroom head pushbutton, Latch, turn key to release Ø 40mm/1.6" LPCB684

Product designation

Product type designation

**General characteristics**

Colour	Red
Type of positions	Mushroom head pushbutton
Material	Polyamide
IEC degree of protection	IP66, IP67 and IP69K

**Mechanical features**

Operating force	kg-lb	<0.5Kg / 1.1lb
Mechanical life - Latch actuators	cycles	300000
Mounting adapter		LPXAU120
Weight	g	83

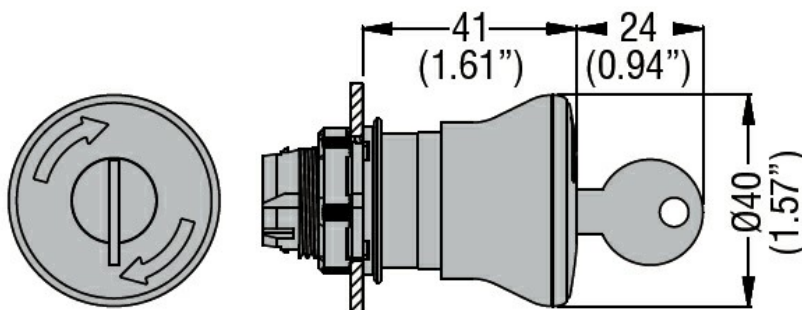
**UL technical data**

UL degree of protection	Type1, 2, 3R, 4, 4X, 12, 12K
-------------------------	------------------------------

**Ambient conditions**

Temperature	Operating temperature	min	°C	-25
		max	°C	+70
	Storage temperature	min	°C	-40
		max	°C	+85

**Dimensions**



**Certifications and compliance**

Compliance

- CSA C22.2 n° 14
- IEC/EN/BS 60947-1
- IEC/EN/BS 60947-5-1
- UL508

Certificates

CCC

---

cULus

---

EAC

---

RINA

---

UL

**ETIM classification**

ETIM 8.0

EC001038 -  
Front element for  
mushroom push-  
button