

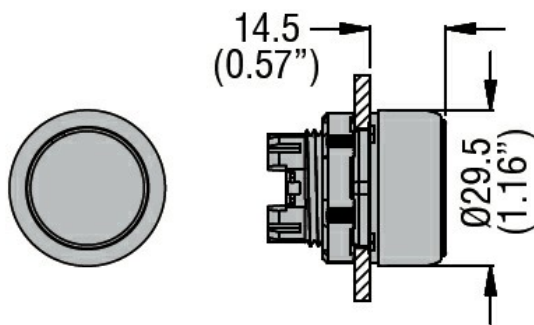


|   |                                    |                |
|---|------------------------------------|----------------|
| Product designation                       | Pushbutton actuator, spring return |                |
| Product type designation                  | LPCB30                             |                |
| <b>General characteristics</b>            |                                    |                |
| Colour                                    | White                              |                |
| Type of positions                         | Shrouded pushbutton                |                |
| Material                                  | Polyamide                          |                |
| IEC degree of protection                  | IP66, IP67 and IP69K               |                |
| <b>Mechanical features</b>                |                                    |                |
| Operating force                           | kg-lb                              | <0.5Kg / 1.1lb |
| Mechanical life - spring return actuators | cycles                             | 5000000        |
| Fixing                                    | Without mounting adapter           |                |
| Mounting adapter                          | LPXAU120                           |                |
| Weight                                    | g                                  | 27             |

|                          |                              |  |
|--------------------------|------------------------------|--|
| <b>UL technical data</b> |                              |  |
| UL degree of protection  | Type1, 2, 3R, 4, 4X, 12, 12K |  |

|                           |     |        |
|---------------------------|-----|--------|
| <b>Ambient conditions</b> |     |        |
| Temperature               |     |        |
| Operating temperature     |     |        |
|                           | min | °C -25 |
|                           | max | °C +70 |
| Storage temperature       |     |        |
|                           | min | °C -40 |
|                           | max | °C +85 |

**Dimensions**



**Certifications and compliance**

|            |                     |
|------------|---------------------|
| Compliance | CSA C22.2 n° 14     |
|            | IEC/EN/BS 60947-1   |
|            | IEC/EN/BS 60947-5-1 |

|              |       |
|--------------|-------|
| Certificates | UL508 |
|              | CCC   |
|              | cULus |
|              | EAC   |
|              | RINA  |

**ETIM classification**

|          |  |
|----------|--|
| ETIM 8.0 | EC000221 -<br>Front element for<br>push button |
|----------|--|