

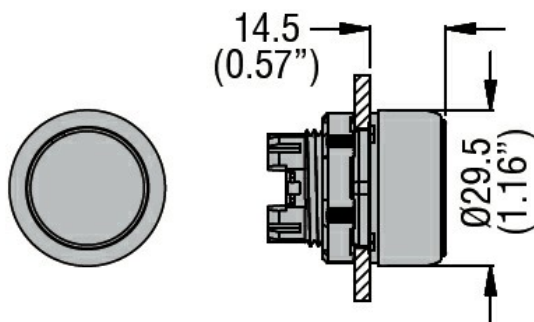


Product designation	Pushbutton actuator, spring return	
Product type designation	LPCB30	
General characteristics		
Colour	Green	
Type of positions	Shrouded pushbutton	
Material	Polyamide	
IEC degree of protection	IP66, IP67 and IP69K	
Mechanical features		
Operating force	kg-lb	<0.5Kg / 1.1lb
Mechanical life - spring return actuators	cycles	5000000
Fixing	Without mounting adapter	
Mounting adapter	LPXAU120	
Weight	g	27

UL technical data		
UL degree of protection	Type1, 2, 3R, 4, 4X, 12, 12K	

Ambient conditions		
Temperature		
Operating temperature		
	min	°C -25
	max	°C +70
Storage temperature		
	min	°C -40
	max	°C +85

Dimensions



Certifications and compliance

Compliance	CSA C22.2 n° 14
	IEC/EN/BS 60947-1
	IEC/EN/BS 60947-5-1

UL508

Certificates

CCC

cULus

EAC

RINA

ETIM classification

ETIM 8.0

EC000221 -
Front element for
push button