



Control station for 40mm profile rails with red extended illuminated pushbutton with "O" symbol spring return, 5...35VAC/DC, 1NC and green flush illuminated pushbutton with "I" symbol spring return, 5...35VAC/DC, 1NO  
LP4P2B8903

Product designation

Product type designation

**General characteristics**

Colour	Grey
Contact configuration	1NC+1NO
LED pin number	7-8 and 5-6
IEC degree of protection	IP65

**Electrical characteristics**

Rated operating voltage	VAC	5...35 VAC/DC
Rated operating current	mA	1...100
Maximum consumption	mW	250

**Operations**

Electrical life	cycles	1.000.000
B10d	cycles	1.300.000

**Mechanical features**

Connection	8-pin M12 connector
Fixing	For 40mm profile rails
Weight	g 105

**UL technical data**

UL degree of protection	Type 1
-------------------------	--------

**Ambient conditions**

Temperature

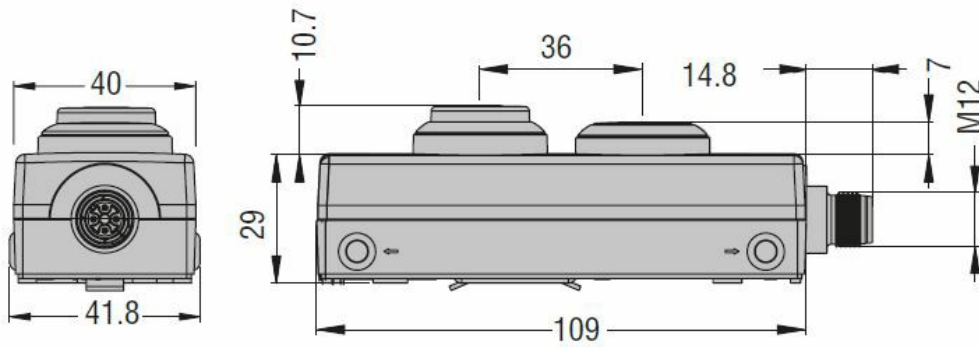
Operating temperature

min	°C	-25
max	°C	+70

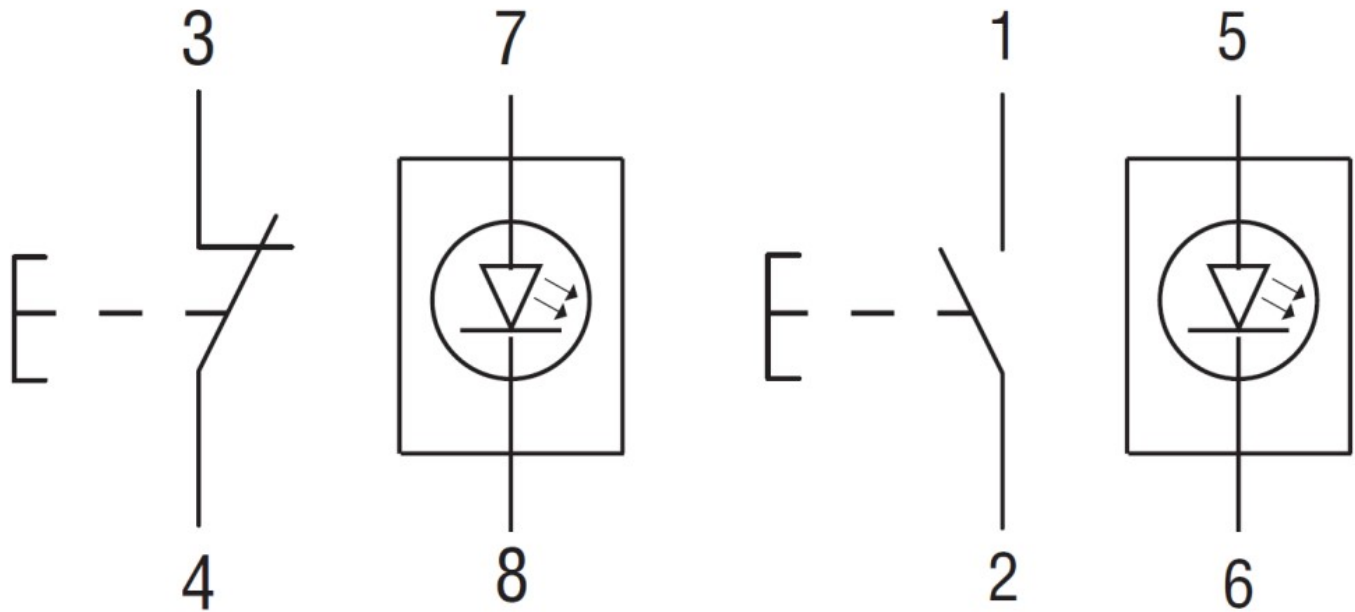
Storage temperature

min	°C	-40
max	°C	+80

**Dimensions**



**Wiring diagrams**



**Certifications and compliance**

**Compliance**

CSA C22.2 No. 60947-1-13

CSA C22.2 No. 60947-5-1-14

IEC/EN/BS 60947-5-1

UL 60947-1

UL 60947-5-1

UL508A

**Certificates**

cURus