



Control station for 40mm profile rails with red extended pushbutton with "O" symbol spring return, 1NC and green flush pushbutton with "I" symbol spring return, 1NO
LP4P2B8902

Product designation

Product type designation

General characteristics

Colour	Grey
Contact configuration	1NC+1NO
IEC degree of protection	IP65

Electrical characteristics

Rated operating voltage	VAC	5...35 VAC/DC
Rated operating current	mA	1...100
Maximum consumption	mW	250

Operations

Electrical life	cycles	1.000.000
B10d	cycles	1.300.000

Mechanical features

Connection	4-pin M12 connector	
Fixing	For 40mm profile rails	
Weight	g	105

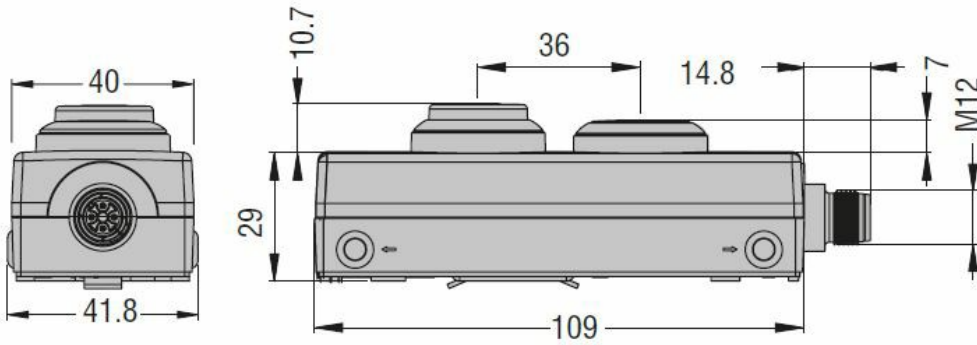
UL technical data

UL degree of protection	Type 1
-------------------------	--------

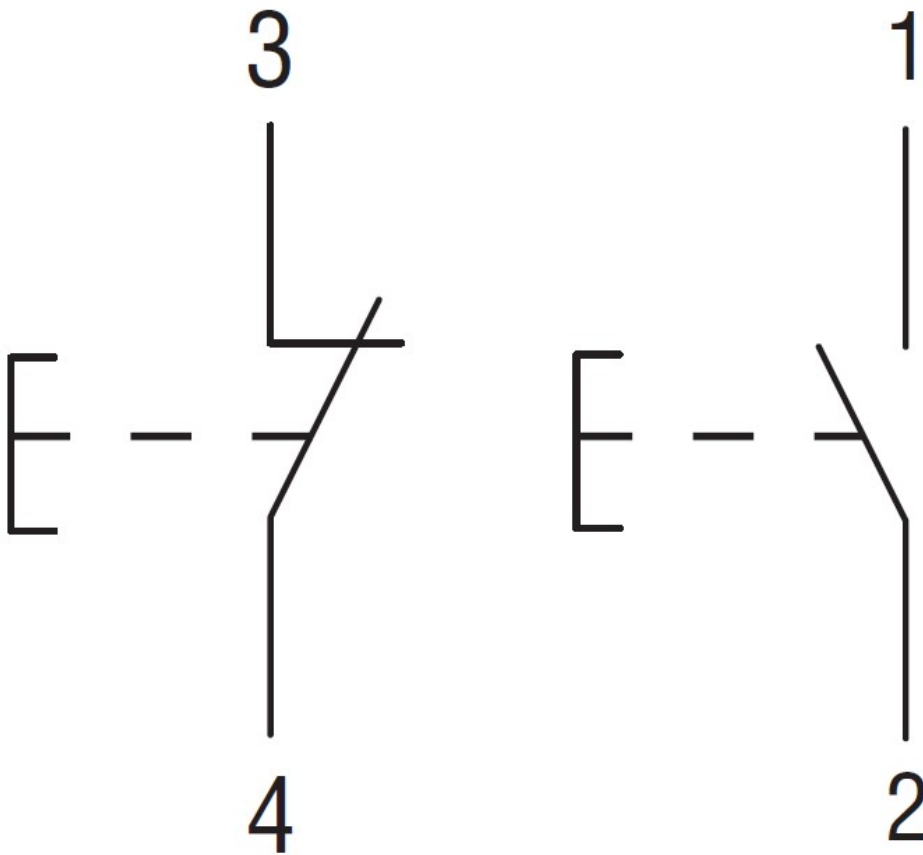
Ambient conditions

Temperature			
Operating temperature			
	min	°C	-25
	max	°C	+70
Storage temperature			
	min	°C	-40
	max	°C	+80

Dimensions



Wiring diagrams



Certifications and compliance

Compliance

CSA C22.2 No. 60947-1-13

CSA C22.2 No. 60947-5-1-14

IEC/EN/BS 60947-5-1

UL 60947-1

UL 60947-5-1

UL508A

Certificates

cURus