



Control station for 40mm profile rails with mushroom head pushbutton, latch, turn to release for emergency stopping, 2NC LP4P1B5600

Product designation

Product type designation

General characteristics

Colour	Yellow
Contact configuration	2NC
IEC degree of protection	IP65

Electrical characteristics

Rated operating voltage	VAC	5...35 VAC/DC
Rated operating current	mA	1...100
Maximum consumption	mW	250

Operations

Electrical life	cycles	50.000
B10d	cycles	130.000

Mechanical features

Connection	4-pin M12 connector
Fixing	For 40mm profile rails
Weight	g '108

UL technical data

UL degree of protection	Type 1
-------------------------	--------

Ambient conditions

Temperature

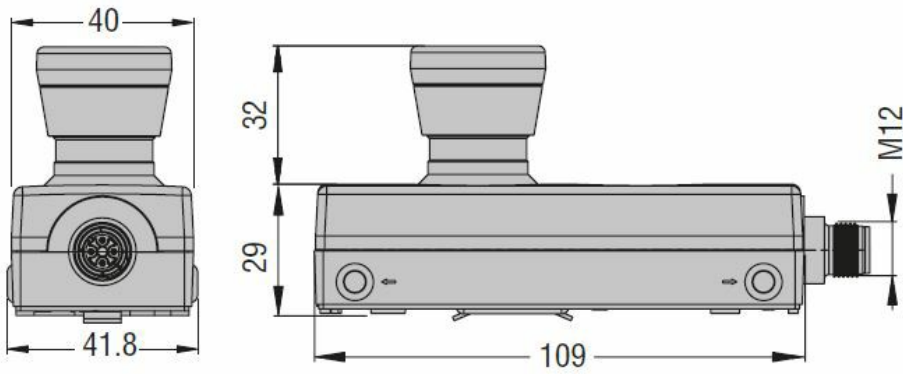
Operating temperature

min	°C	-25
max	°C	+70

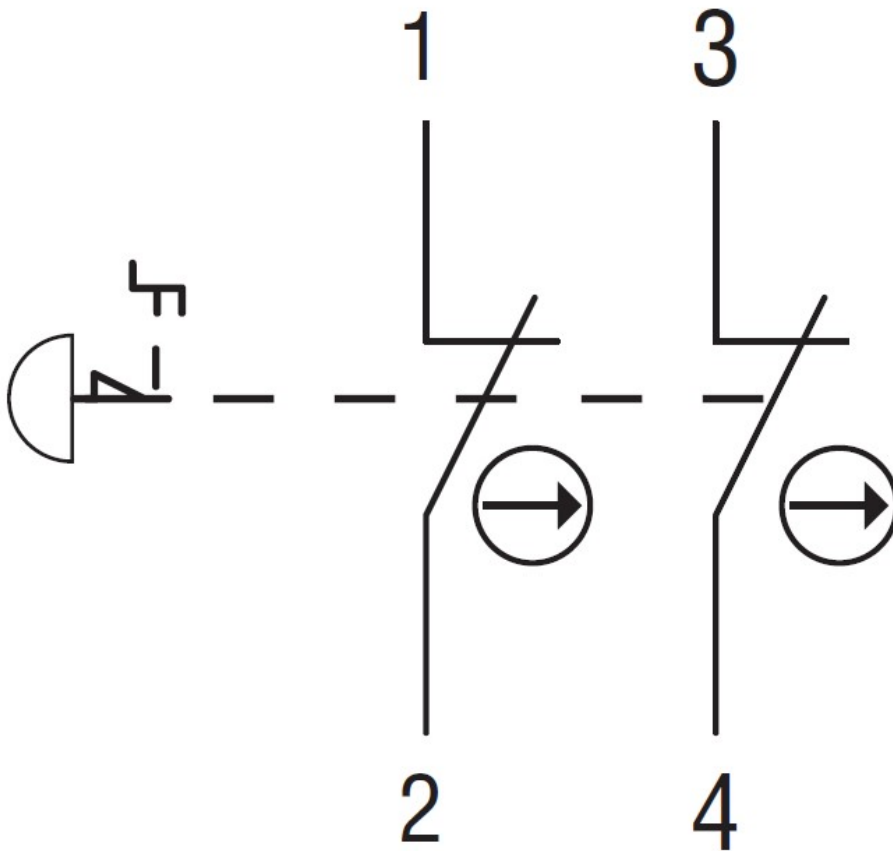
Storage temperature

min	°C	-40
max	°C	+80

Dimensions



Wiring diagrams



Certifications and compliance

Compliance

CSA C22.2 No. 60947-1-13

CSA C22.2 No. 60947-5-1-14

IEC/EN/BS 60947-5-1

UL 60947-1

UL 60947-5-1

UL 60947-5-5

UL508A

Certificates

UR