



|  |                                  |        |      |
|--|----------------------------------|--------|------|
| Product designation                                | Monoblock actuators              |        |      |
| Product type designation                           | LMPB6                            |        |      |
| <b>General characteristics</b>                     |                                  |        |      |
| Colour   | Red                              |        |      |
| Type of positions                                  | Monoblock mushroom head          |        |      |
| IEC degree of protection                           | IP66 on front, IP20 on terminals |        |      |
| <b>Electrical characteristics</b>                  |                                  |        |      |
| Rated insulation voltage $U_i$ IEC/EN              | V                                | 400    |      |
| IEC Conventional free air thermal current $I_{th}$ | A                                | 8      |      |
| UL/CSA and IEC/EN 60947-5-1 designation            | B300 R300                        |        |      |
| Operating current AC12                             | 12V                              | A      | 8    |
|  | 24V                              | A      | 8    |
|  | 120V                             | A      | 8    |
|  | 240V                             | A      | 6    |
|  | 380V                             | A      | 3.8  |
| Operating current AC15                             | 12V                              | A      | 8    |
|  | 24V                              | A      | 8    |
|  | 120V                             | A      | 6    |
|  | 240V                             | A      | 3    |
|  | 380V                             | A      | 1.9  |
| Operating current DC12                             | 12V                              | A      | 2.5  |
|  | 24V                              | A      | 2.5  |
|  | 125V                             | A      | 1.1  |
|  | 250V                             | A      | 0.55 |
|  | 400V                             | A      | 0.3  |
| Operating current DC13                             | 12V                              | A      | 2.5  |
|  | 24V                              | A      | 2.5  |
|  | 125V                             | A      | 0.55 |
|  | 250V                             | A      | 0.27 |
|  | 400V                             | A      | 0.15 |
| <b>Operations</b>                                  |                                  |        |      |
| Electrical life                                    | cycles                           | 100000 |      |
| <b>Mechanical features</b>                         |                                  |        |      |
| Mechanical life                                    | cycles                           | 300000 |      |
| Conductor section                                  | AWG/kcmil conductor section      |        |      |
|  | min                              | 26     |      |
|  | max                              | 16     |      |
| IEC  |                                  |        |      |

|     |                 |     |
|-----|-----------------|-----|
| min | mm <sup>2</sup> | 0.2 |
| max | mm <sup>2</sup> | 1.5 |

**UL technical data**

UL degree of protection

Type 1, 4X indoor and 13

**Ambient conditions**

Temperature

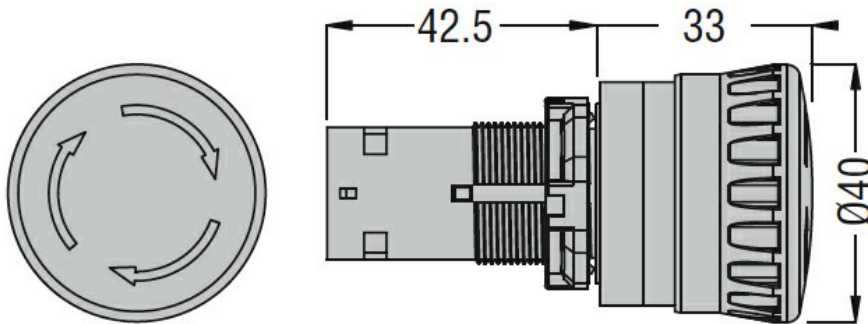
Operating temperature

|     |    |     |
|-----|----|-----|
| min | °C | -25 |
| max | °C | +70 |

Storage temperature

|     |    |     |
|-----|----|-----|
| min | °C | -40 |
| max | °C | +85 |

**Dimensions**



**Wiring diagrams**

