



Product designation	Monoblock actuators		
Product type designation	LMPB6		
<b>General characteristics</b>			
Colour	Red		
Type of positions	Monoblock mushroom head		
IEC degree of protection	IP66 on front, IP20 on terminals		
<b>Electrical characteristics</b>			
Rated insulation voltage $U_i$ IEC/EN	V	300	
IEC Conventional free air thermal current $I_{th}$	A	5	
UL/CSA and IEC/EN 60947-5-1 designation	B300 R300		
Operating current AC12	12V	A	5
	30V	A	5
	125V	A	4
	250V	A	2
Operating current AC15	12V	A	5
	30V	A	5
	125V	A	3
	250V	A	1.5
Operating current DC12	12V	A	1
	30V	A	1
	125V	A	0.32
	250V	A	0.16
Operating current DC13	12V	A	1
	30V	A	1
	125V	A	0.22
	250V	A	0.11
<b>Operations</b>			
Electrical life	cycles		100000
<b>Mechanical features</b>			
Mechanical life	cycles		250000
Conductor section	AWG/kcmil conductor section		
	min	26	
	max	16	
	IEC		
	min	mm <sup>2</sup>	0.2
	max	mm <sup>2</sup>	1.5
<b>Ambient conditions</b>			
Temperature			

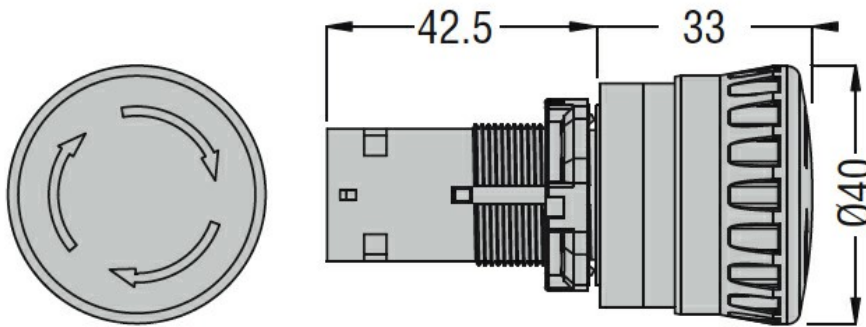
Operating temperature

min	°C	-25
max	°C	+70

Storage temperature

min	°C	-40
max	°C	+85

### Dimensions



### Wiring diagrams

