



| | | | |
|--|----------------------------------|--------|------|
| Product designation | Monoblock actuators | | |
| Product type designation | LMPB6 | | |
| General characteristics | | | |
| Colour | Red | | |
| Type of positions | Monoblock mushroom head | | |
| IEC degree of protection | IP66 on front, IP20 on terminals | | |
| Electrical characteristics | | | |
| Rated insulation voltage U_i IEC/EN | V | 400 | |
| IEC Conventional free air thermal current I_{th} | A | 8 | |
| UL/CSA and IEC/EN 60947-5-1 designation | B300 R300 | | |
| Operating current AC12 | 12V | A | 8 |
| | 24V | A | 8 |
| | 120V | A | 8 |
| | 240V | A | 6 |
| | 380V | A | 3.8 |
| Operating current AC15 | 12V | A | 8 |
| | 24V | A | 8 |
| | 120V | A | 6 |
| | 240V | A | 3 |
| | 380V | A | 1.9 |
| Operating current DC12 | 12V | A | 2.5 |
| | 24V | A | 2.5 |
| | 125V | A | 1.1 |
| | 250V | A | 0.55 |
| | 400V | A | 0.3 |
| Operating current DC13 | 12V | A | 2.5 |
| | 24V | A | 2.5 |
| | 125V | A | 0.55 |
| | 250V | A | 0.27 |
| | 400V | A | 0.15 |
| Operations | | | |
| Electrical life | cycles | 100000 | |
| Mechanical features | | | |
| Mechanical life | cycles | 300000 | |
| Conductor section | AWG/kcmil conductor section | | |
| | min | 26 | |
| | max | 16 | |
| IEC | | | |

| | | |
|-----|-----------------|-----|
| min | mm ² | 0.2 |
| max | mm ² | 1.5 |

UL technical data

UL degree of protection

Type 1, 4X indoor and 13

Ambient conditions

Temperature

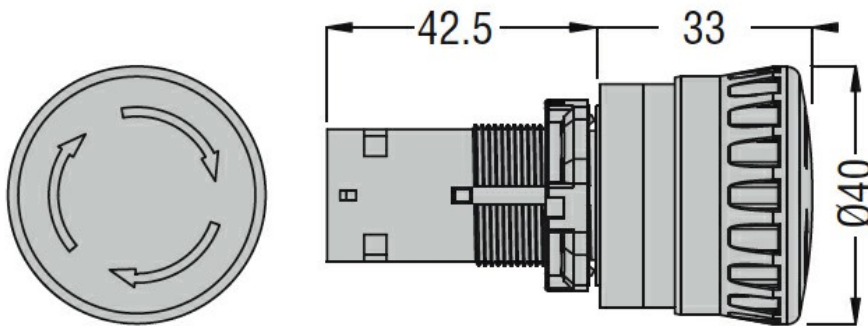
Operating temperature

| | | |
|-----|----|-----|
| min | °C | -25 |
| max | °C | +70 |

Storage temperature

| | | |
|-----|----|-----|
| min | °C | -40 |
| max | °C | +85 |

Dimensions



Wiring diagrams

