



Product designation	Monoblock actuators		
Product type designation	LMPB6		
<b>General characteristics</b>			
Colour	Red		
Type of positions	Monoblock mushroom head		
IEC degree of protection	IP66 on front, IP20 on terminals		
<b>Electrical characteristics</b>			
Rated insulation voltage $U_i$ IEC/EN	V	400	
IEC Conventional free air thermal current $I_{th}$	A	8	
UL/CSA and IEC/EN 60947-5-1 designation	B300 R300		
Operating current AC12	12V	A	8
	24V	A	8
	120V	A	8
	240V	A	6
	380V	A	3.8
Operating current AC15	12V	A	8
	24V	A	8
	120V	A	6
	240V	A	3
	380V	A	1.9
Operating current DC12	12V	A	2.5
	24V	A	2.5
	125V	A	1.1
	250V	A	0.55
	400V	A	0.3
Operating current DC13	12V	A	2.5
	24V	A	2.5
	125V	A	0.55
	250V	A	0.27
	400V	A	0.15
<b>Operations</b>			
Electrical life	cycles	100000	
<b>Mechanical features</b>			
Mechanical life	cycles	300000	
Conductor section	AWG/kcmil conductor section		
	min	26	
	max	16	
IEC			

min	mm <sup>2</sup>	0.2
max	mm <sup>2</sup>	1.5

**UL technical data**

UL degree of protection

Type 1, 4X  
indoor and 13

**Ambient conditions**

Temperature

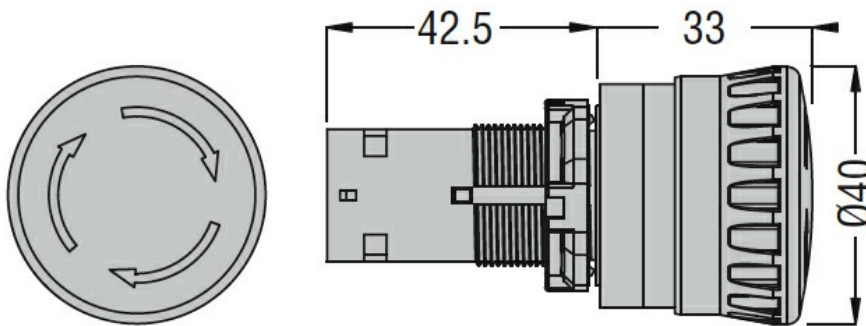
Operating temperature

min	°C	-25
max	°C	+70

Storage temperature

min	°C	-40
max	°C	+85

**Dimensions**



**Wiring diagrams**

