



Product designation	Monoblock actuators		
Product type designation	LMPB6		
General characteristics			
Colour	Red		
Type of positions	Monoblock mushroom head		
IEC degree of protection	IP66 on front, IP20 on terminals		
Electrical characteristics			
Rated insulation voltage U_i IEC/EN	V	300	
IEC Conventional free air thermal current I_{th}	A	5	
UL/CSA and IEC/EN 60947-5-1 designation	B300 R300		
Operating current AC12	12V	A	5
	30V	A	5
	125V	A	4
	250V	A	2
Operating current AC15	12V	A	5
	30V	A	5
	125V	A	3
	250V	A	1.5
Operating current DC12	12V	A	1
	30V	A	1
	125V	A	0.32
	250V	A	0.16
Operating current DC13	12V	A	1
	30V	A	1
	125V	A	0.22
	250V	A	0.11
Operations			
Electrical life	cycles		250000
Mechanical features			
Mechanical life	cycles		5000000
Conductor section	AWG/kcmil conductor section		
	min	26	
	max	16	
	IEC		
	min	mm ²	0.2
	max	mm ²	1.5
Ambient conditions			
Temperature			

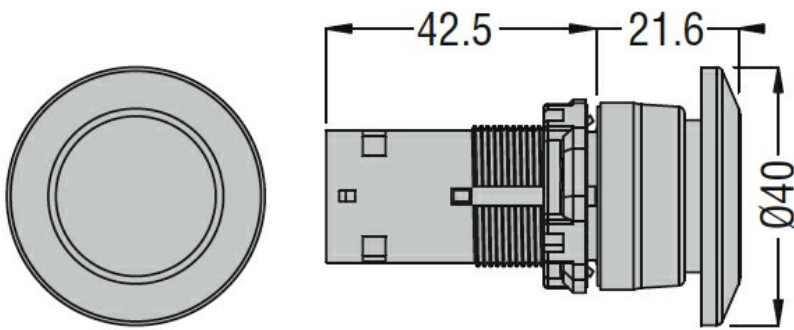
Operating temperature

min	°C	-25
max	°C	+70

Storage temperature

min	°C	-40
max	°C	+85

Dimensions



Wiring diagrams

