



Thyristor
modules
DCTL

Product designation

Product type designation

General characteristics

Rated voltage	V	600...690
Operating voltage range		340...759
Rated frequency	Hz	50/60
Operating frequency range	Hz	45...65
Rated current (Ie)	A	96
Step power at		
	400VAC	kvar 100
	440VAC	kvar 73
	480VAC	kvar 80
	525VAC	kvar 87
	600VAC	kvar 100
	690VAC	kvar 100
Peak inverse voltage (PIV)	VAC	3600
Number of controlled phases	Nr.	2

Control circuit

12-24VDC input
or free-voltage
input or via
RS485 serial port
(with optional
card EXC1042 in
combination with
controller
DCRG8F +
EXP1012)

Auxiliary supply

Rated auxiliary supply voltage Us
AC

	min	VAC	100
	Max	VAC	240
Auxiliary rated frequency		Hz	50/60
Power consumption Max		VA	14.1
Power dissipation Max		W	5.8

Control input

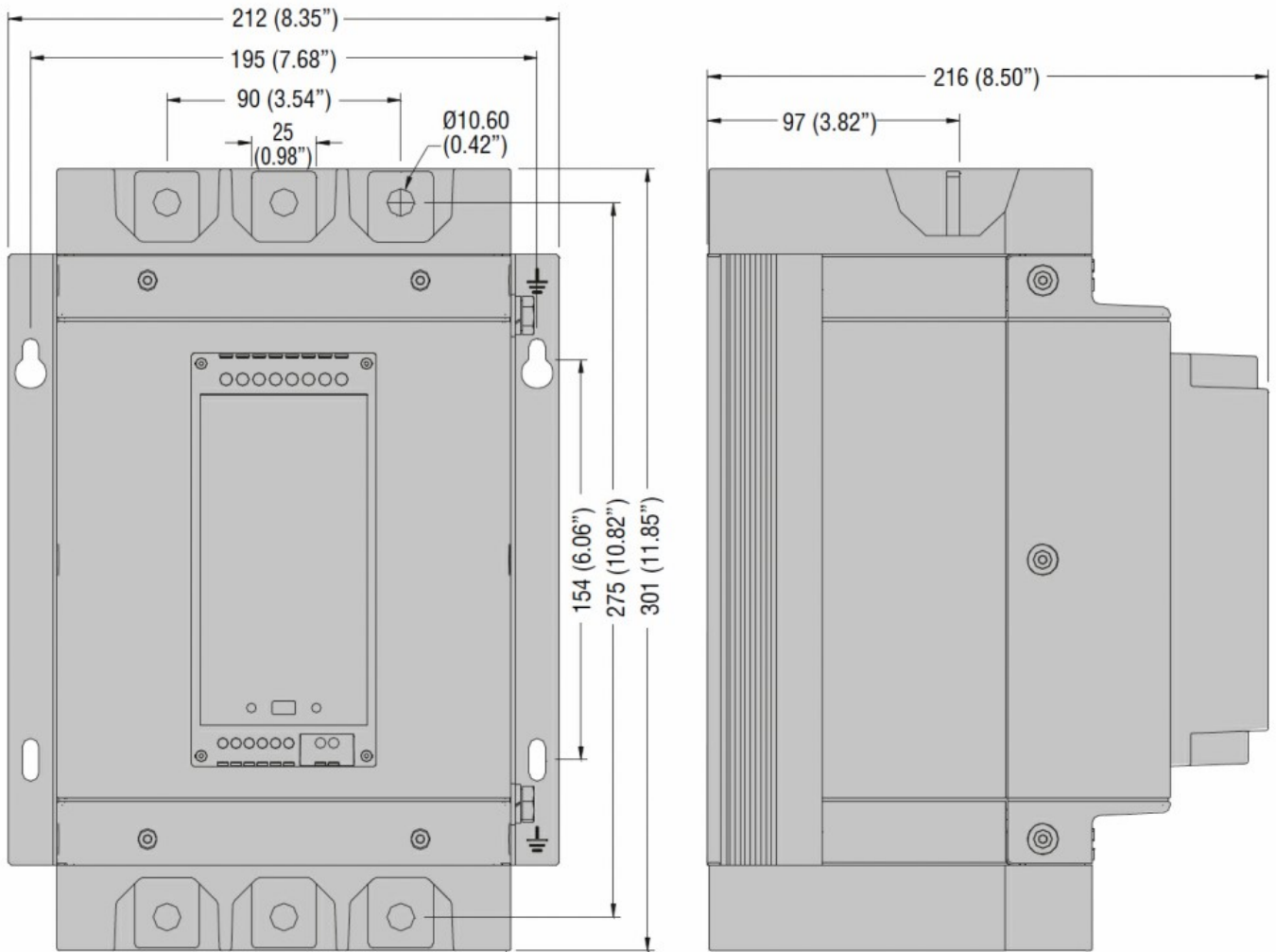
Terminals	CONTROL +/-
Rated voltage	12-24VDC
Operating range	8...30VDC

Digital inputs

Terminals	C-IN1
Applied voltage at contact (internal)	5VDC
Input current	mA ≤10
Low input signal	VDC ≤0.8
High input signal	VDC ≥3.2

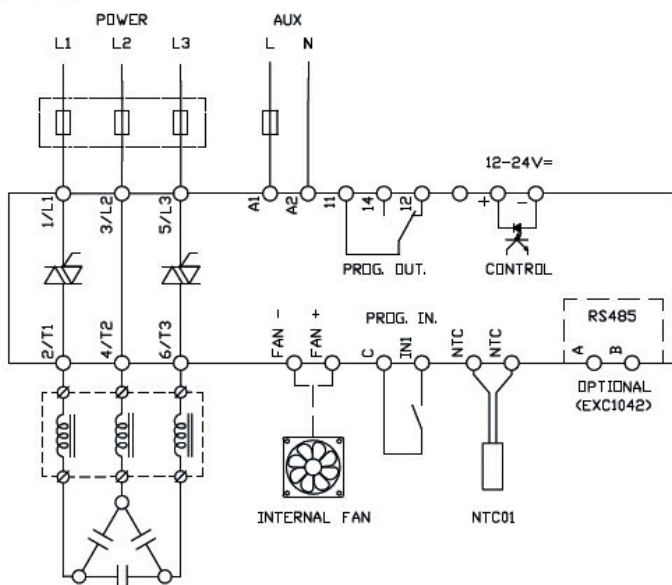
Input signal delay		ms	≥50
NTC probe input			
Terminals			NTC-NTC
Sensor type			NTC (ordering code NTC01)
Measuring range		°C	-25...+85
Maximum connection length		mt	3
Fan power supply			
Terminals			FAN +/-
Supply voltage (internal)			5VDC (provided by DCTL)
Fan type			2 built-in fans type EXP8004
Relay outputs			
Number of relay output		Nr.	1
Contact arrangement			1 C/O-SPDT
Rated current			NO contact: AC1 5A 250VAC / 5A 30VDC NC contact: AC1 3A 250VAC / 3A 30VDC
UL/CSA and IEC/EN 60947-5-1 designation			D300
Maximum switching voltage		VAC	250
Electrical life (with rated load)		cycles	NO contact: 10x10 ³ NC contact: 20x10 ³
Mechanical life		cycles	10 ⁷
Insulations			
Rated insulation voltage Ui IEC/EN		V	690
Rated impulse withstand voltage Uimp		kV	6
Connections - power terminals			
Type of terminal			Bars - 25x5mm, hole diam. 11mm
Conductor cross section			
	Max	mm ²	50
	Max	AWG	1 x AWG 3/0 (for cULus compliance you must install n°2 lugs kit code EXA01 + n°2 terminal shrouds kit code EXA02)
Tightening torque (Max)			
		Nm	35Nm (42Nm for EXA01 lugs)
		lbin/lbft	309 in-lbs (375 in-lbs for EXA01 lugs)
Connections - relay output			
Type of terminal			Screw
Conductor cross section			
	min	mm ²	0.2
	Max	mm ²	4

		min	AWG	26
		Max	AWG	10
Tightening torque (Max)				
			Nm	0.8
			lbin	7
Connections - fan and digital input				
Type of terminal				Screw
Conductor cross section				
		min	mm ²	0.2
		Max	mm ²	2.5
		min	AWG	24
		Max	AWG	12
Tightening torque (Max)				
			Nm	0.44
			lbin	4
Ambient conditions				
Temperature				
	Operating temperature			
		min	°C	-20
		max	°C	+45°C without derating (up to 55°C with derating)
	Storage temperature			
		min	°C	-30
		max	°C	+80
Relative humidity			%	<80%
Maximum Pollution degree				2
Overvoltage category				III
Max altitude			m	2000m without derating
Climatic sequence				Z/ABDM (IEC/EN 60068-2-61)
Shock resistance				15g (IEC/EN 60068-2-27)
Vibration resistance				0.7g (IEC/EN 60068-2-6)
Housing				
Execution				Internal panel version
Material				Polycarbonate
Degree of protection				IP00
Dimensions (W x H x D)			mm	212 x 301 x 216 (with EXA01 lugs and EXA02 terminals protection: 212 x 468 x 216)
Weight			g	6680
Dimensions				



Wiring diagrams

DCTL



Certifications and compliance

Compliance

IEC/EN 60947-4-3
IEC/EN 61000-6-2

IEC/EN 61000-6-4

Certificates

cULus

ETIM classification

ETIM 8.0

EC002055 -
Solid state relay