



Product designation Power distribution block

Electrical features

Number of poles		4
Rated insulation voltage U_i	V	500
IEC Conventional free air thermal current I_{th}	A	125
Rated peak withstand current I_{pk}	kA	20
Rated short time current I_{cw} 1s	kA	4.5

Connections

Terminal hole diameter_Option 1	mm	2x8.8mm
Conductor section connectable_Option 1	mm ²	10...35
Tightening torque Max_Option 1	Nm	3
	lbin	27
Terminal hole diameter_Option 2	mm	2x7.5mm
Conductor section connectable_Option 2	mm ²	10...25
Tightening torque Max_Option 2	Nm	3
	lbin	27
Terminal hole diameter_Option 3	mm	7x5.5mm
Conductor section connectable_Option 3	mm ²	2.5...6
Tightening torque Max_Option 3	Nm	3
	lbin	27

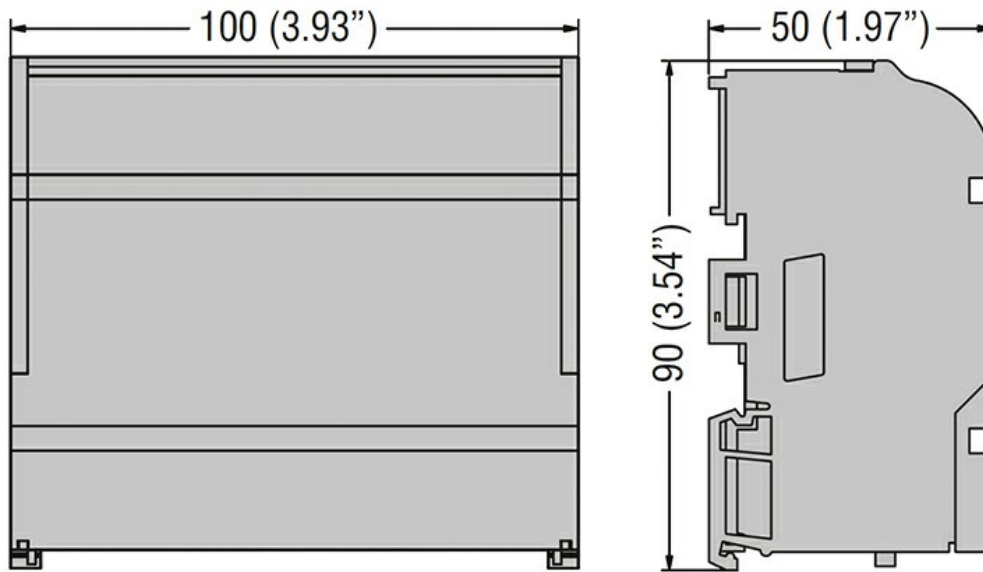
Mechanical features

Operating position	normal allowable	Vertical plane
		Any
Fixing		Screw / DIN rail 35mm
Phillips		2
Weight	g	345

Resistance & Protection

Terminals IP degree	IP20 front
---------------------	------------

Dimensions



Certifications and compliance

Certifications

IEC/EN/BS 60947-7-1

Compliance

TÜV

ETIM classification

EC000066 - Power contactor, AC switching