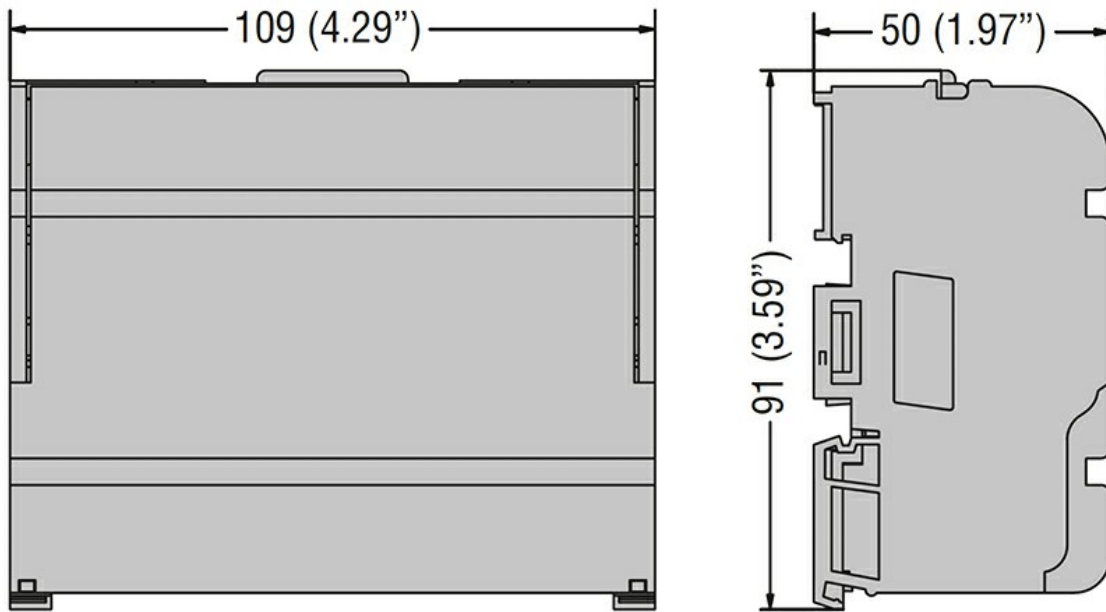




Product designation	Power distribution block	
<b>Electrical features</b>		
Number of poles		4
Rated insulation voltage $U_i$	V	500
IEC Conventional free air thermal current $I_{th}$	A	125
Rated peak withstand current $I_{pk}$	kA	20
Rated short time current $I_{cw}$ 1s	kA	4.5
<b>Connections</b>		
Terminal hole diameter_Option 1	mm	1x9mm
Conductor section connectable_Option 1	mm <sup>2</sup>	10...35
Tightening torque Max_Option 1	Nm	7
	lbin	62
Terminal hole diameter_Option 2	mm	1x7.5mm
Conductor section connectable_Option 2	mm <sup>2</sup>	10...25
Tightening torque Max_Option 2	Nm	3
	lbin	27
Terminal hole diameter_Option 3	mm	5x5.3mm
Conductor section connectable_Option 3	mm <sup>2</sup>	2.5...6
Tightening torque Max_Option 3	Nm	3
	lbin	27
<b>Mechanical features</b>		
Operating position	normal allowable	Vertical plane
		Any
Fixing		Screw / DIN rail 35mm
Phillips		2
Weight	g	375
<b>Resistance &amp; Protection</b>		
Terminals IP degree		IP20 front
<b>Dimensions</b>		



#### Certifications and compliance

##### Certifications

IEC/EN/BS 60947-7-1

##### ETIM classification

EC000066 - Power contactor, AC switching