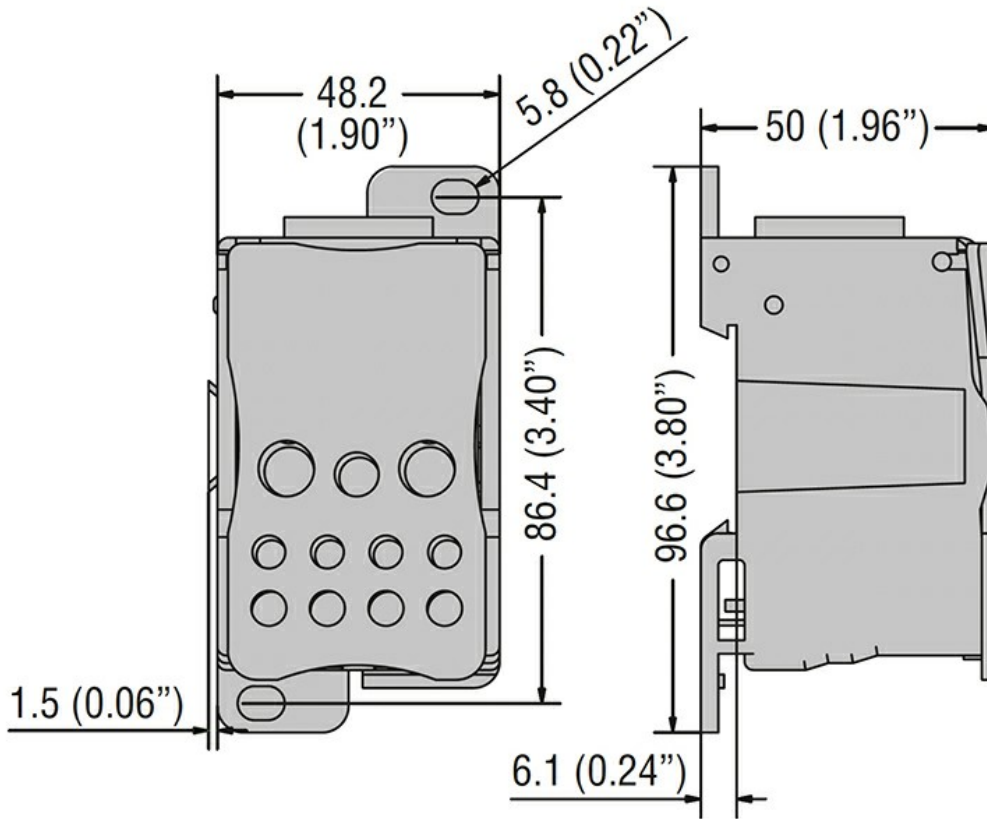




Product designation	Power distribution block	
Electrical features		
Number of poles		1
Rated insulation voltage Ui	V	1000
IEC Conventional free air thermal current Ith	A	520
Rated peak withstand current Ipk	kA	51
Rated short time current Icw 1s	kA	24.5
Short circuit rating (UL)	kA	10
Connections		
Terminal hole diameter_Option 1	mm	Slot 25x9.5mm
Conductor section connectable_Option 1	mm ²	flexible busbar 25x9.5mm
Tightening torque Max_Option 1	Nm	10
	Ibin	89
Terminal hole diameter_Option 2	mm	2x9.5mm
Conductor section connectable_Option 2	mm ²	6...35
	AWG	14..1
Tightening torque Max_Option 2	Nm	4.4
	Ibin	39
Terminal hole diameter_Option 3	mm	5x7.5mm
Conductor section connectable_Option 3	mm ²	2.5...16
	AWG	14...4
Tightening torque Max_Option 3	Nm	2.7
	Ibin	24
Terminal hole diameter_Option 4	mm	4x6mm
Conductor section connectable_Option 4	mm ²	2.5...10
	AWG	14...6
Tightening torque Max_Option 4	Nm	2.7
	Ibin	24
Mechanical features		
Operating position	normal allowable	Vertical plane Any
Fixing		Screw / DIN rail 35mm
Metric Allen Key	mm	3-4-5

Weight	g	393
Resistance & Protection		
Terminals IP degree		IP20 front
Dimensions		



Certifications and compliance

Certifications IEC/EN/BS 60947-7-1

Compliance cURus

ETIM classification

EC000066 - Power contactor, AC switching