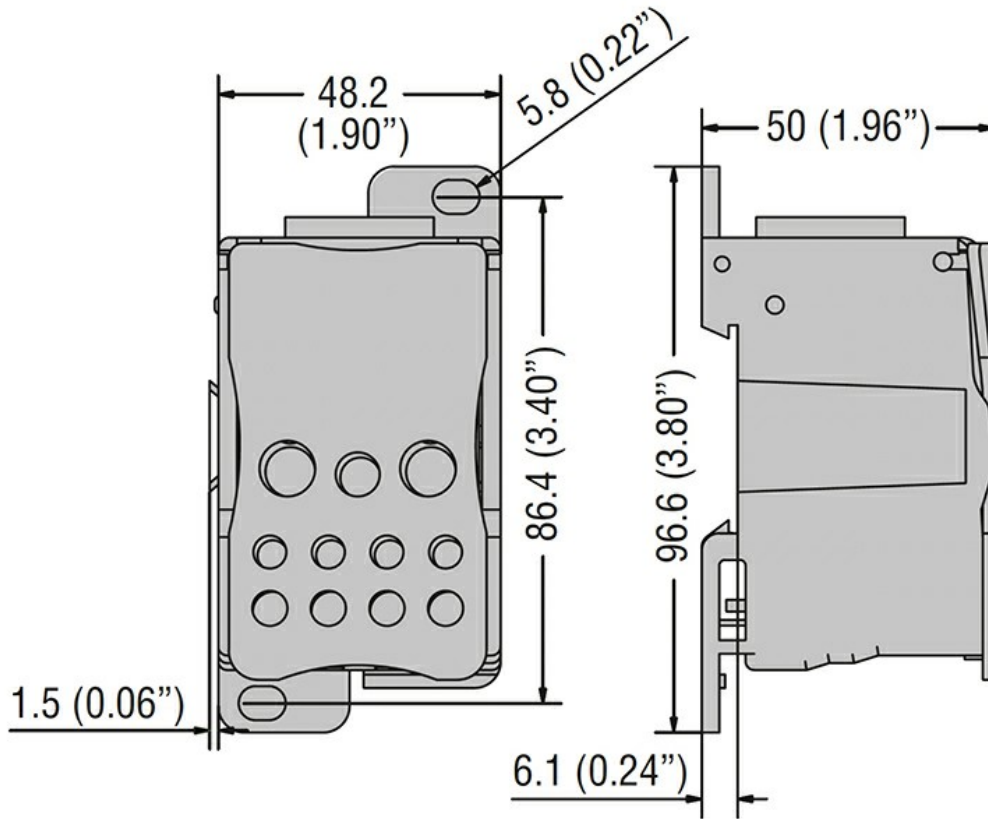




Product designation	Power distribution block	
<b>Electrical features</b>		
Number of poles	1	
Rated insulation voltage $U_i$	V	1000
IEC Conventional free air thermal current $I_{th}$	A	335
Rated peak withstand current $I_{pk}$	kA	51
Rated short time current $I_{cw}$ 1s	kA	24.5
Short circuit rating (UL)	kA	10
<b>Connections</b>		
Terminal hole diameter_Option 1	mm	1x19.8mm
Conductor section connectable_Option 1	mm <sup>2</sup> AWG	95...185 3/0...400 Kcmil
Tightening torque Max_Option 1	Nm lbin	25 221
Terminal hole diameter_Option 2	mm	2x9.5mm
Conductor section connectable_Option 2	mm <sup>2</sup> AWG	6...35 14...1
Tightening torque Max_Option 2	Nm lbin	4.4 39
Terminal hole diameter_Option 3	mm	5x7.5mm
Conductor section connectable_Option 3	mm <sup>2</sup> AWG	2.5...16 14...4
Tightening torque Max_Option 3	Nm lbin	2.7 24
Terminal hole diameter_Option 4	mm	4x6mm
Conductor section connectable_Option 4	mm <sup>2</sup> AWG	2.5...10 14...6
Tightening torque Max_Option 4	Nm lbin	2.7 24
<b>Mechanical features</b>		
Operating position	normal allowable	Vertical plane Any
Fixing		Screw / DIN rail 35mm
Metric Allen Key	mm	3-4-5-10

Weight	g	405
<b>Resistance &amp; Protection</b>		
Terminals IP degree		IP20 front
<b>Dimensions</b>		



**Certifications and compliance**

Certifications	IEC/EN/BS 60947-7-1
Compliance	cURus

**ETIM classification**

EC000066 - Power contactor, AC switching