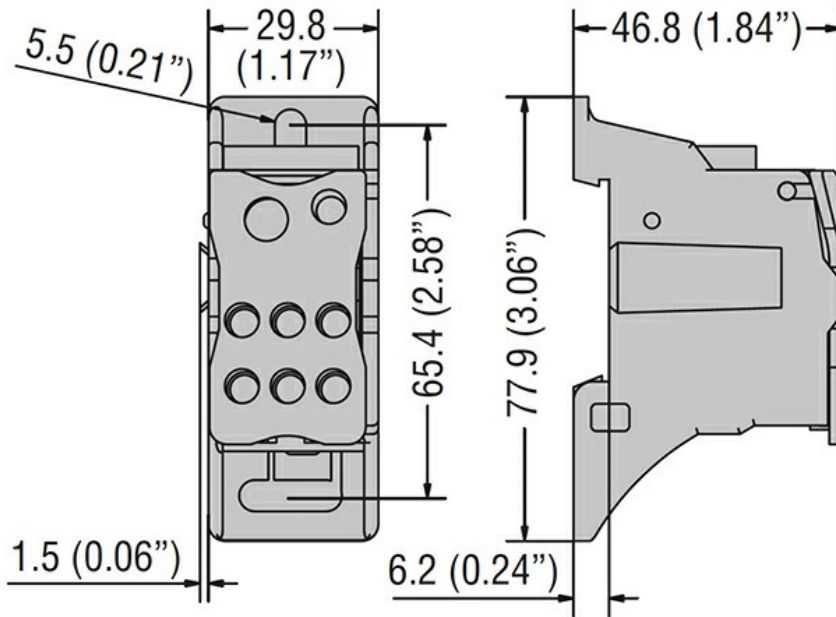




Product designation	Power distribution block	
Electrical features		
Number of poles		1
Rated insulation voltage Ui	V	1000
IEC Conventional free air thermal current Ith	A	200
Rated peak withstand current Ipk	kA	30
Rated short time current Icw 1s	kA	11.8
Short circuit rating (UL)	kA	10
Connections		
Terminal hole diameter_Option 1	mm	1x12mm
Conductor section connectable_Option 1	mm ² AWG	10...70 8..3/0
Tightening torque Max_Option 1	Nm lbin	8.5 75
Terminal hole diameter_Option 2	mm	1x7.5mm
Conductor section connectable_Option 2	mm ² AWG	6..16 14...2
Tightening torque Max_Option 2	Nm lbin	3.5 31
Terminal hole diameter_Option 3	mm	6x6mm
Conductor section connectable_Option 3	mm ² AWG	2.5...16 14...4
Tightening torque Max_Option 3	Nm lbin	3.5 31
Mechanical features		
Operating position	normal allowable	Vertical plane Any
Fixing		Screw / DIN rail 35mm
Metric Allen Key	mm	3-6
Weight	g	154
Resistance & Protection		
Terminals IP degree		IP20 front
Dimensions		



Certifications and compliance

Certifications

IEC/EN/BS 60947-7-1

Compliance

cURus

ETIM classification

EC000066 - Power contactor, AC switching