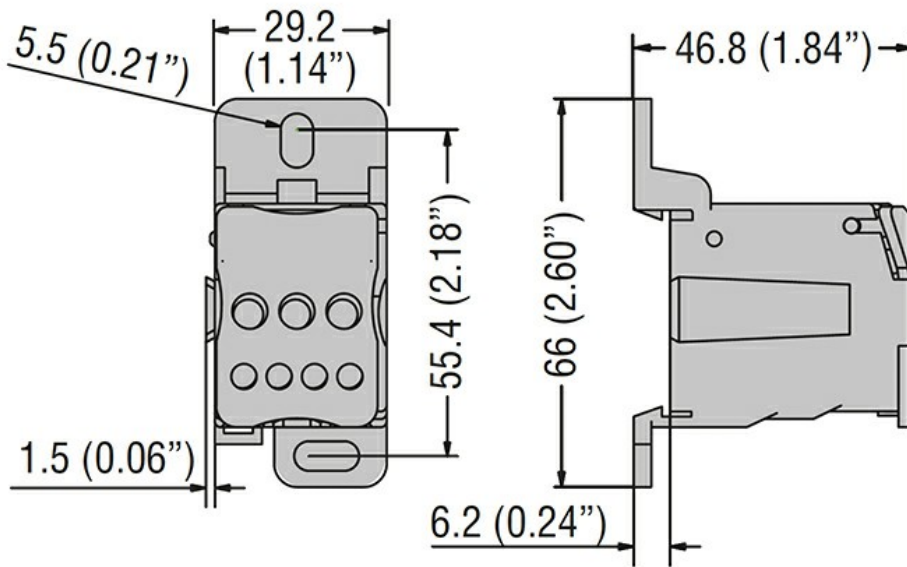




Product designation	Power distribution block	
<b>Electrical features</b>		
Number of poles		1
Rated insulation voltage $U_i$	V	1000
IEC Conventional free air thermal current $I_{th}$	A	85
Rated peak withstand current $I_{pk}$	kA	22
Rated short time current $I_{cw}$ 1s	kA	3
Short circuit rating (UL)	kA	10
<b>Connections</b>		
Terminal hole diameter_Option 1	mm	1x6mm
Conductor section connectable_Option 1	mm <sup>2</sup>	6...16
	AWG	16...4
Tightening torque Max_Option 1	Nm	3.5
	lbin	31
Terminal hole diameter_Option 2	mm	4x4.4mm
Conductor section connectable_Option 2	mm <sup>2</sup>	2.5...6
	AWG	16...8
Tightening torque Max_Option 2	Nm	1.2
	lbin	11
Terminal hole diameter_Option 3	mm	2x6mm
Conductor section connectable_Option 3	mm <sup>2</sup>	2.5...16
	AWG	16...4
Tightening torque Max_Option 3	Nm	3.5
	lbin	31
<b>Mechanical features</b>		
Operating position	normal allowable	Vertical plane Any
Fixing		Screw / DIN rail 35mm
Metric Allen Key	mm	2,5-3
Weight	g	72
<b>Resistance &amp; Protection</b>		
Terminals IP degree		IP20 front
<b>Dimensions</b>		



#### Certifications and compliance

##### Certifications

IEC/EN/BS 60947-7-1

##### Compliance

cURus

#### ETIM classification

EC000066 - Power contactor, AC switching